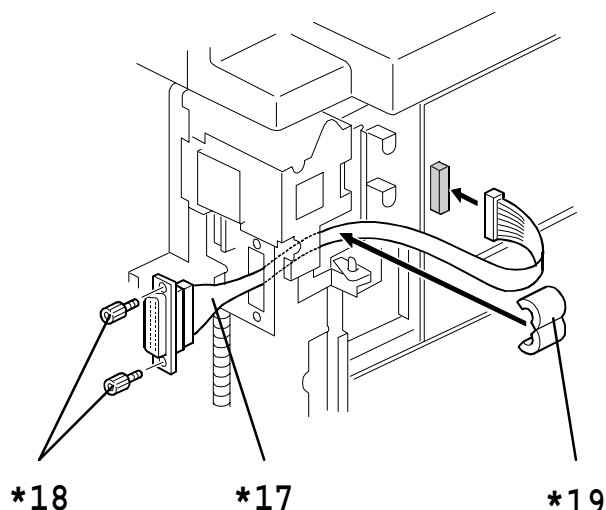


Model: PRIPORT SAPPHIRE	Date: 04-Jun-01	No: M-C235-001
Modified Article: Interface Cable	Prepared by:	
From: Priport Service Planning Section	A. Yoshida	
Classification:	<input type="checkbox"/> Parts catalog correction <input type="checkbox"/> Vendor change <input type="checkbox"/> To meet standards <input type="checkbox"/> To facilitate assembly <input type="checkbox"/> To improve reliability () <input type="checkbox"/> Part standardization <input checked="" type="checkbox"/> Other (To add a new feature)	
Model Name:		
Ricoh JP8000, Gestetner 5490, RexRotary 1395, nashuatec CP490, Savin 3450DNP, Standard SD630		

From May 2001 production (F011050001~), the interface cable and related parts have been added to enable the installation of external controllers.

Please add the following items to your catalog.



Old #	New #	Description	Qty	Int	Page	Index
	C2365202	Relay Harness	1		85	*17
	C5801550	Stepped Screw – M2.6	2		85	*18
	16070622	Ferrite Core TFC16816	1		85	*19

*: New index

CUT IN SERIAL NUMBERS

Model Name	V/Hz	Destination	Code	Serial Number
Standard SD630	120/60	USA, Canada	C235-11	F0110500001~
Ricoh JP8000	120/60	USA, Canada	C235-17	F0110500001~
Ges 5490, Rex 1395, Nsa CP490	230/50	Europe, etc.	C235-22	F0110500001~
Ricoh JP8000	230/50	Europe, etc.	C235-27	F0110500001~
Ges 5490, Savin 3450DNP	120/60	USA, Canada	C235-51	F0110500001~

Model: PRIORT SAPPHIRE/GARNET/SA2		Date: 10-Mar-03	No: M-C235-002
Modified Article: Power Supply Unit		Prepared by:	
From: Priort Service Planning Section		A. Yoshida	
Classification: <input type="checkbox"/> Parts catalog correction <input type="checkbox"/> Vendor change <input type="checkbox"/> To meet standards <input type="checkbox"/> To facilitate assembly <input type="checkbox"/> To improve reliability () <input checked="" type="checkbox"/> Part standardization <input type="checkbox"/> Other ()			
Model Name: SAPPHIRE: Ricoh JP8000, Gestetner 5490, RexRotary 1395, nashuatec CP490, Savin 3450DNP, Standard SD630 GARNET: Ricoh JP5500, Gestetner 5450+/5455, RexRotary1560+, nashuatec CP450+, Savin 3360DNP, Standard SD450, Lanier LDD150 SA2: Ricoh JP8500, Gestetner 5490+/5499, RexRotary1395+, nashuatec CP490+, Savin 3460DNP, Standard SD650, Lanier LDD180			

Note that this issue applies only to the SAPPHIRE.

The following has been changed due to parts standardization. As a result, the SAPPHIRE, GARNET and SA2 all use the #C2395300 type only.

Sapphire parts catalog

Old #	New #	Description	Qty	Int	Page	Index	Note
C2365300	C2395300	DC Power Supply Ass'y – 225W	1	O/O	83	12	-

Model: PRIPORT SAPPHIRE/GARNET/SA2

Date: 10-Mar-03

No: M-C235-002

CUT IN SERIAL NUMBERS

Model Name	V/Hz	Destination	Code	Serial Number
Standard SD630	120/60	USA, Canada	C235-11	F0110100001~
Ricoh JP8000	120/60	USA, Canada	C235-17	F0110100031~
Ges 5490, Rex 1395, Nsa CP490	230/50	Europe, etc.	C235-22	F0110100081~
Ricoh JP8000	230/50	Europe, etc.	C235-27	F0110100127~
Ges 5490, Savin 3450DNP	120/60	USA, Canada	C235-51	F0110100199~
Standard SD450	120/60	USA, Canada	C239-11	From first mass-production
Ges 5450+, Rex 1560+, Nsa CP450+	230/50	Europe, etc.	C239-22	From first mass-production
Ricoh JP5500	230/50	Europe, etc.	C239-27	From first mass-production
Ricoh JP5500, Ges 5455, Savin 3360DNP, Lanier LDD150	120/60	USA, Canada	C239-52	From first mass-production
Standard SD650	120/60	USA, Canada	C244-11	From first mass-production
Ges 5490+, Rex 1395+, Nsa CP490+	230/50	Europe, etc.	C244-22	From first mass-production
Ricoh JP8500	230/50	Europe, etc.	C244-27	From first mass-production
Ricoh JP8500, Ges 5499, Savin 3460DNP, Lanier LDD180	120/60	USA, Canada	C244-52	From first mass-production

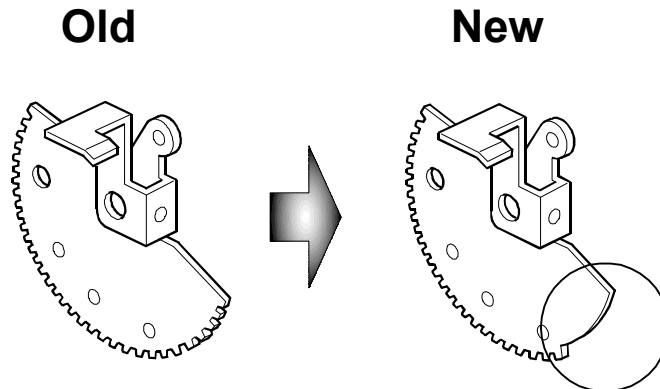
Model: PRIPORT SAPPHIRE/GARNET/SA2		Date: 11-Mar-03	No: M-C235-003
Modified Article: Sector Gear		Prepared by:	
From: Priport Service Planning Section		A. Yoshida	
Classification: <input type="checkbox"/> Parts catalog correction <input type="checkbox"/> Vendor change <input type="checkbox"/> To meet standards <input type="checkbox"/> To facilitate assembly <input checked="" type="checkbox"/> To improve reliability () <input type="checkbox"/> Part standardization <input type="checkbox"/> Other ()			
Model Name:			
SAPPHIRE: Ricoh JP8000, Gestetner 5490, RexRotary 1395, nashuatec CP490, Savin 3450DNP, Standard SD630			
GARNET: Ricoh JP5500, Gestetner 5450+/5455, RexRotary1560+, nashuatec CP450+, Savin 3360DNP, Standard SD450, Lanier LDD150			
SA2: Ricoh JP8500, Gestetner 5490+/5499, RexRotary1395+, nashuatec CP490+, Savin 3460DNP, Standard SD650, Lanier LDD180			

The shape of the sector gear has been changed to ensure gear overrun does not occur.

Sapphire parts catalog

Old #	New #	Description	Qty	Int	Page	Index
C2294052	C2394052	Sector Gear	1	X/O	27	6

NOTE: This new sector gear is available for Pearl, Pearl-MC, SAPPHIRE, GARNET and SA2.



Model: PRIPORT SAPPHIRE/GARNET/SA2**Date:** 11-Mar-03**No:** M-C235-003**BACKGROUND****SYMPTOM**

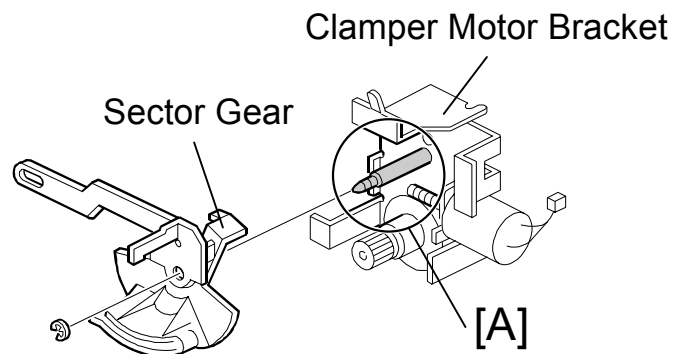
SC05-50 (Clamper close position sensor remains on when opening the clamper) occurs at power-up or during operation.

CAUSE

When the master clamper is being closed, the sector gear (C2294052) overruns.

When replacing the parts, lubricate the shaft [A] where the sector gear and the clamper motor bracket come in contact.

NOTE: Make sure that grease is applied to the places where the sector gear and the clamper motor bracket contact the shaft surface.



Model: PRIPORT SAPPHIRE/GARNET/SA2

Date: 11-Mar-03

No: M-C235-003

CUT IN SERIAL NUMBERS

Model Name	V/Hz	Destination	Code	Serial Number
Standard SD630	120/60	USA, Canada	C235-11	F0120200001~
Ricoh JP8000	120/60	USA, Canada	C235-17	February 2002~
Ges 5490, Rex 1395, Nsa CP490	230/50	Europe, etc.	C235-22	F0120200015~
Ricoh JP8000	230/50	Europe, etc.	C235-27	F0120200020~
Ges 5490, Savin 3450DNP	120/60	USA, Canada	C235-51	F0120400011~
Standard SD450	120/60	USA, Canada	C239-11	F2320400001~
Ges 5450+, Rex 1560+, Nsa CP450+	230/50	Europe, etc.	C239-22	F2320400016~
Ricoh JP5500	230/50	Europe, etc.	C239-27	F2320500038~
Ricoh JP5500, Ges 5455, Savin 3360DNP, Lanier LDD150	120/60	USA, Canada	C239-52	F2320400066~
Standard SD650	120/60	USA, Canada	C244-11	F1820800001~
Ges 5490+, Rex 1395+, Nsa CP490+	230/50	Europe, etc.	C244-22	F1820400001~
Ricoh JP8500	230/50	Europe, etc.	C244-27	F1820300001~
Ricoh JP8500, Ges 5499, Savin 3460DNP, Lanier LDD180	120/60	USA, Canada	C244-52	F1820700058~

Model: PRIPORT SAPPHIRE/GARNET/SA2	Date: 13-Mar-03	No: M-C235-004
Modified Article: Parts catalog correction	Prepared by:	
From: Priport Service Planning Section	A. Yoshida	
Classification:	<input checked="" type="checkbox"/> Parts catalog correction <input type="checkbox"/> Vendor change <input type="checkbox"/> To meet standards <input type="checkbox"/> To facilitate assembly <input type="checkbox"/> To improve reliability () <input type="checkbox"/> Part standardization <input type="checkbox"/> Other ()	
Model Name:		
SAPPHIRE: Ricoh JP8000, Gestetner 5490, RexRotary 1395, nashuatec CP490, Savin 3450DNP, Standard SD630		
GARNET: Ricoh JP5500, Gestetner 5450+/5455, RexRotary1560+, nashuatec CP450+, Savin 3360DNP, Standard SD450, Lanier LDD150		
SA2: Ricoh JP8500, Gestetner 5490+/5499, RexRotary1395+, nashuatec CP490+, Savin 3460DNP, Standard SD650, Lanier LDD180		

Please make the following corrections to your Parts Catalogs.

NOTE: This correction is for Sapphire only.

● **Deletion:**

Part number	Description	Qty	Page	Index
C2358600	Operating Instructions - English	1	99	5

● **Addition:**

New part number	Description	Qty	Page	Index
C2351345	Model Name Plate - STD	1	11	10
C2358698	Operating Instructions - English (STD NA)	1	99	5

● **P/N Corrections:**

Incorrect part number	Correct part number	Description	Qty	Page	Index
C2363240	C2363233	Clamp Ass'y	1	39	17
08053134	08053205	Ball Bearing - 10X19X7mm	1	43	113
C2324396	C2334396	Rear Lower Guide	1	49	20
C2324395	C2334395	Front Lower Guide	1	49	30
C2362552	C2362543	Front Side Plate - Ink Supply Roller	1	61	9
C2362556	C2362544	Rear Side Plate - Ink Supply Roller	1	61	17

Part number	Incorrect Description	Correct Description	Qty	Page	Index
C2291309	Upper Door Cover (OEM)	Upper Door Cover (NRG, GES/SVN, STD)	1	11	2
C2358607	Operating Instructions - English	Operating Instructions - English (RIC NA)	1	99	5
C2358690	Operating Instructions - English	Operating Instructions - English (NRG EU)	1	99	5
C2358697	Operating Instructions - English	Operating Instructions - English (GES/SVN NA)	1	99	5

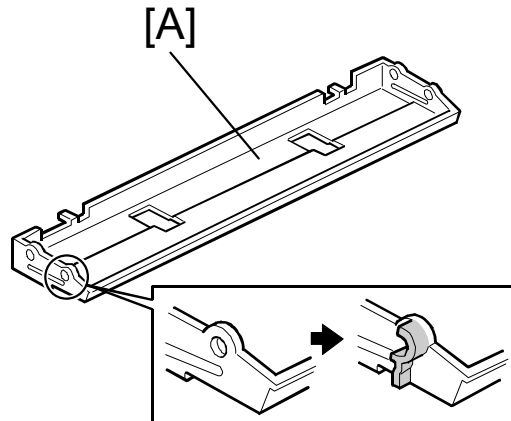
Model: PRIPORT SAPPHIRE/GARNET/SA2**Date:** 13-Mar-03**No:** M-C235-004**CUT IN SERIAL NUMBERS**

Model Name	V/Hz	Destination	Code	Serial Number
Standard SD630	120/60	USA, Canada	C235-11	-
Ricoh JP8000	120/60	USA, Canada	C235-17	-
Ges 5490, Rex 1395, Nsa CP490	230/50	Europe, etc.	C235-22	-
Ricoh JP8000	230/50	Europe, etc.	C235-27	-
Ges 5490, Savin 3450DNP	120/60	USA, Canada	C235-51	-
Standard SD450	120/60	USA, Canada	C239-11	-
Ges 5450+, Rex 1560+, Nsa CP450+	230/50	Europe, etc.	C239-22	-
Ricoh JP5500	230/50	Europe, etc.	C239-27	-
Ricoh JP5500, Ges 5455, Savin 3360DNP, Lanier LDD150	120/60	USA, Canada	C239-52	-
Standard SD650	120/60	USA, Canada	C244-11	-
Ges 5490+, Rex 1395+, Nsa CP490+	230/50	Europe, etc.	C244-22	-
Ricoh JP8500	230/50	Europe, etc.	C244-27	-
Ricoh JP8500, Ges 5499, Savin 3460DNP, Lanier LDD180	120/60	USA, Canada	C244-52	-

Model: PRIPORT SAPPHIRE/GARNET/SA2		Date: 18-Mar-03	No: M-C235-005
Modified Article: Paper Clamper		Prepared by:	
From: Priport Service Planning Section		A. Yoshida	
Classification: <input type="checkbox"/> Parts catalog correction <input type="checkbox"/> Vendor change <input type="checkbox"/> To meet standards <input type="checkbox"/> To facilitate assembly <input checked="" type="checkbox"/> To improve reliability () <input type="checkbox"/> Part standardization <input type="checkbox"/> Other ()			
Model Name:			
SAPPHIRE: Ricoh JP8000, Gestetner 5490, RexRotary 1395, nashuatec CP490, Savin 3450DNP, Standard SD630 GARNET: Ricoh JP5500, Gestetner 5450+/5455, RexRotary1560+, nashuatec CP450+, Savin 3360DNP, Standard SD450, Lanier LDD150 SA2: Ricoh JP8500, Gestetner 5490+/5499, RexRotary1395+, nashuatec CP490+, Savin 3460DNP, Standard SD650, Lanier LDD180			

The strength of the paper clamper base [A] has been increased to improve reliability. Due to this modification, the shapes of the clamper arm and shaft have also been changed.

NOTE: The same paper clamper is used on the SAPPHIRE, GARNET and SA2.



Sapphire parts catalog

Old #	New #	Description	Qty	Int	Page	Index
C2363256	C2443256	Clamper Arm Assembly	1	X/O as a set	39	9
C2363233	C2443233	Clamp Assembly	1		39	17
C2363264	C2443264	Clamper Base	1		39	18
C2363005	C2443005	Drum Clamp Assembly	1	X/O	39	19

Garnet/SA2 parts catalog

Old #	New #	Description	Qty	Int	Page	Index
C2363256	C2443256	Clamper Arm Assembly	1	X/O as a set	29	9
C2363245	C2443245	Clamper Shaft	1		29	18
C2363264	C2443264	Clamper Base	1		29	21
C2363005	C2443005	Drum Clamp Assembly	1	X/O	29	22

Model: PRIPORT SAPPHIRE/GARNET/SA2**Date:** 18-Mar-03**No:** M-C235-005**CUT IN SERIAL NUMBERS**

Model Name	V/Hz	Destination	Code	Serial Number
Standard SD630	120/60	USA, Canada	C235-11	F0130400001
Ricoh JP8000	120/60	USA, Canada	C235-17	
Ges 5490, Rex 1395, Nsa CP490	230/50	Europe, etc.	C235-22	
Ricoh JP8000	230/50	Europe, etc.	C235-27	
Ges 5490, Savin 3450DNP	120/60	USA, Canada	C235-51	
Standard SD450	120/60	USA, Canada	C239-11	F2330400001
Ges 5450+, Rex 1560+, Nsa CP450+	230/50	Europe, etc.	C239-22	
Ricoh JP5500	230/50	Europe, etc.	C239-27	
Ricoh JP5500, Ges 5455, Savin 3360DNP, Lanier LDD150	120/60	USA, Canada	C239-52	
Standard SD650	120/60	USA, Canada	C244-11	F1830400001
Ges 5490+, Rex 1395+, Nsa CP490+	230/50	Europe, etc.	C244-22	
Ricoh JP8500	230/50	Europe, etc.	C244-27	
Ricoh JP8500, Ges 5499, Savin 3460DNP, Lanier LDD180	120/60	USA, Canada	C244-52	

Reissued: 2-Mar-04

Serial Number Update

The Serial Number information has been updated.

Model: PRIPORT SAPPHIRE/GARNET/SA2		Date: 1-Apr-03	No: M-C235-006a
Modified Article: Ink Detection Board		Prepared by:	
From: Priport Service Planning Section		A. Yoshida	
Classification: <input type="checkbox"/> Parts catalog correction <input type="checkbox"/> Vendor change <input type="checkbox"/> To meet standards <input type="checkbox"/> To facilitate assembly <input checked="" type="checkbox"/> To improve reliability () <input type="checkbox"/> Part standardization <input type="checkbox"/> Other ()			
Model Name:			
SAPPHIRE: Ricoh JP8000, Gestetner 5490, RexRotary 1395, nashuatec CP490, Savin 3450DNP, Standard SD630			
GARNET: Ricoh JP5500, Gestetner 5450+/5455, RexRotary1560+, nashuatec CP450+, Savin 3360DNP, Standard SD450, Lanier LDD150			
SA2: Ricoh JP8500, Gestetner 5490+/5499, RexRotary1395+, nashuatec CP490+, Savin 3460DNP, Standard SD650, Lanier LDD180			

The ink detection board has been changed to ensure ink misdetections and ink leaks do not occur. When replacing this part, please be sure to perform the adjustment described below.

Sapphire parts catalog

Old #	New #	Description	Qty	Int	Page	Index	Note
C2295140	C2395140	Ink Detection Board	1	X/O	53	15	-

Garnet/SA2 parts catalog

Old #	New #	Description	Qty	Int	Page	Index	Note
C2295140	C2395140	Ink Detection Board	1	X/O	43	15	-

Reissued: 2-Mar-04

Model: PRIPORT SAPPHIRE/GARNET/SA2

Date: 1-Apr-03

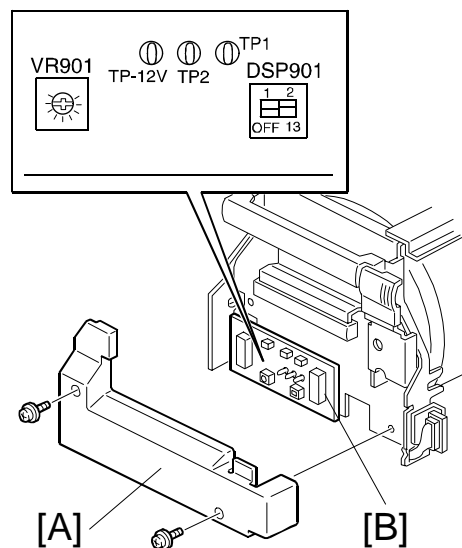
No: M-C235-006a

INK DETECTION ADJUSTMENT

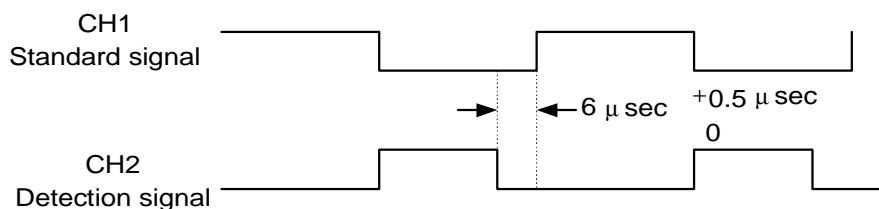
CAUTION: Before performing this procedure, wipe off the ink around the ink roller. To do this, set SP2-2-1 (Ink detection) to OFF, and feed the paper until the ink reaches the end condition. After completing the following procedure, make sure to return SP2-2-1 to its default (ink detection ON).

PROCEDURE:

1. Remove the drum front cover [A].
2. On the ink detection board [B], connect the probes and the grounding lead of an oscilloscope as follows:
 - Probe CH1 to TP1
 - Probe CH2 to TP2
 - Grounding lead to TP-12V (select the 5 μ range.)



3. Turn ON the main switch.
4. Make sure that the waveform is as shown in the top half of the following diagram when the ink detection pin is not in contact with the ink.



5. If incorrect, adjust the standard signal by turning VR901 on the ink detection board.

Reissued: 2-Mar-04

Model: PRIPORT SAPPHIRE/GARNET/SA2	Date: 1-Apr-03	No: M-C235-006
---	-----------------------	-----------------------

CUT IN SERIAL NUMBERS

Model Name	V/Hz	Destination	Code	Serial Number
Standard SD630	120/60	USA, Canada	C235-11	F0130100001
Ricoh JP8000	120/60	USA, Canada	C235-17	
Ges 5490, Rex 1395, Nsa CP490	230/50	Europe, etc.	C235-22	
Ricoh JP8000	230/50	Europe, etc.	C235-27	
Ges 5490, Savin 3450DNP	120/60	USA, Canada	C235-51	
Standard SD450	120/60	USA, Canada	C239-11	F2330200001
Ges 5450+, Rex 1560+, Nsa CP450+	230/50	Europe, etc.	C239-22	F2330100001
Ricoh JP5500	230/50	Europe, etc.	C239-27	F2330100051
Ricoh JP5500, Ges 5455, Savin 3360DNP, Lanier LDD150	120/60	USA, Canada	C239-52	F2330100068
Standard SD650	120/60	USA, Canada	C244-11	F1830100001
Ges 5490+, Rex 1395+, Nsa CP490+	230/50	Europe, etc.	C244-22	F1830100016
Ricoh JP8500	230/50	Europe, etc.	C244-27	F1830200029
Ricoh JP8500, Ges 5499, Savin 3460DNP, Lanier LDD180	120/60	USA, Canada	C244-52	F1830100022

Model Name	Destination	Code	Serial Number
Color Drum Type 55L	USA, Canada, Europe, etc.	C577-59	F2130100001
Color Drum Type 55S	USA, Canada, Europe, etc.	C587-59	F2230200001
Color Drum Type 80L	USA, Canada, Europe, etc.	C602-59	F0330100001
Color Drum Type 80S	USA, Canada, Europe, etc.	C605-59	F0430200001

Reissued: 2-Mar-04

Serial Number Update

The Serial Number information has been updated.

Model: PRIPORT SAPPHIRE/GARNET/SA2		Date: 3-Sep-03	No: M-C235-007a
Modified Article: Ink leaks		Prepared by:	
From: Priport Service Planning Section		A. Yoshida	
Classification: <input type="checkbox"/> Parts catalog correction <input type="checkbox"/> Vendor change <input type="checkbox"/> To meet standards <input type="checkbox"/> To facilitate assembly <input checked="" type="checkbox"/> To improve reliability () <input type="checkbox"/> Part standardization <input type="checkbox"/> Other ()			
Model Name:			
SAPPHIRE: Ricoh JP8000, Gestetner 5490, RexRotary 1395, nashuatec CP490, Savin 3450DNP, Standard SD630			
GARNET: Ricoh JP5500, Gestetner 5450+/5455, RexRotary1560+, nashuatec CP450+, Savin 3360DNP, Standard SD450, Lanier LDD150			
SA2: Ricoh JP8500, Gestetner 5490+/5499, RexRotary1395+, nashuatec CP490+, Savin 3460DNP, Standard SD650, Lanier LDD180			

Please note the following two modifications applied and their accompanying P/N changes.

Modification 1: Sapphire, SA2, Garnet.

The shape of the bearing holder has been changed to ensure that ink is evenly applied to the drum screen and ink leaks do not occur.

Modification 2: Sapphire, SA2.

The home position of the drum idling roller has been changed to ensure that ink is evenly applied to the drum screen and ink leaks do not occur.

Important: When replacing the following parts, be sure to perform the adjustments in RTB #RC229013.

Sapphire:

Modification 1						
Old #	New #	Description	Qty	Int	Page	Index
C2014665	C2362468	Bearing Holder	2	X/O as a set	61	2
03130040Z	-	-	4->0		61	102
-	09513006Z	Philips Screw With Flat Washer - M3	2		61	104
-	A2596239	Screw - M3X4	2		61	*37
C2362305	C2362317	Ink Supply Roller Assembly	1	X/O	61	34
Modification 2						
Old #	New #	Description	Qty	Int	Page	Index
C2292557	C2362575	Ink Supply Roller Arm	2	X/O as a set	61	8
C2362543	C2362570	Front Side Plate – Ink Supply Roller	1		61	9
C2362544	C2362573	Rear Side Plate – Ink Supply Roller	1		61	17
C2362558	C2362576	Blade Bracket	1		61	30
C2362317	C2362318	Ink Supply Roller Assembly	1	X/O	61	34

NOTE: As shown above, with modification 2, the most recent P/N for the Ink Supply Roller Assembly on this model is C2362318.

Reissued: 2-Mar-04

Model: PRIPORT SAPPHIRE/GARNET/SA2	Date: 3-Sep-03	No: M-C235-007a
---	-----------------------	------------------------

SA2:

Modification 1						
Old #	New #	Description	Qty	Int	Page	Index
C2014665	C2362468	Bearing Holder	2	X/O as a set	51	2
03130040Z	-	-	4->0		51	102
-	09513006Z	Philips Screw With Flat Washer - M3	2		51	104
-	A2596239	Screw - M3X4	2		51	*36
C2362305	C2362317	Ink Supply Roller Assembly	1		51	34
Modification 2						
Old #	New #	Description	Qty	Int	Page	Index
C2292557	C2362575	Ink Supply Roller Arm	2	X/O as a set	51	8
C2362543	C2362570	Front Side Plate – Ink Supply Roller	1		51	9
C2362544	C2362573	Rear Side Plate – Ink Supply Roller	1		51	17
C2362558	C2362576	Blade Bracket	1		51	30
C2362317	C2362318	Ink Supply Roller Assembly	1	X/O	51	34

NOTE: Just as with the Sapphire, with modification 2, the most recent P/N for the Ink Supply Roller Assembly on this model is C2362318.

Garnet:

Modification 1						
Old #	New #	Description	Qty	Int	Page	Index
C2014665	C2362468	Bearing Holder	2	X/O as a set	51	2
03130040Z	-	-	4->0		51	102
-	09513006Z	Philips Screw With Flat Washer - M3	2		51	104
-	A2596239	Screw - M3X4	2		51	*36
C2392305	C2392317	Ink Supply Roller Assembly	1		X/O	51

Reissued: 2-Mar-04

Model: PRIPORT SAPPHIRE/GARNET/SA2

Date: 3-Sep-03

No: M-C235-007a

Illustration for new parts listed above - Modification 1:

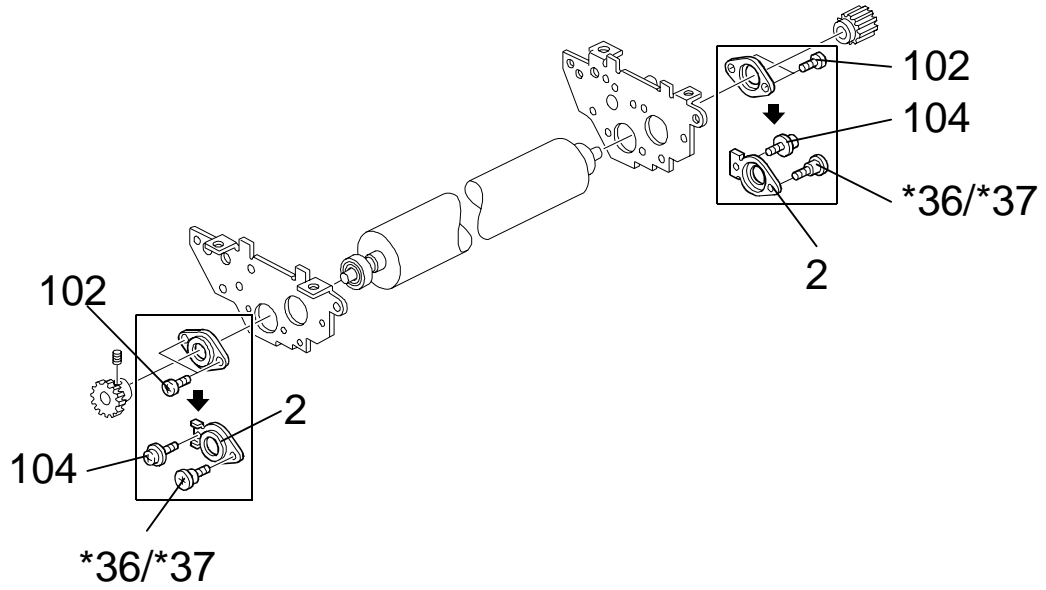
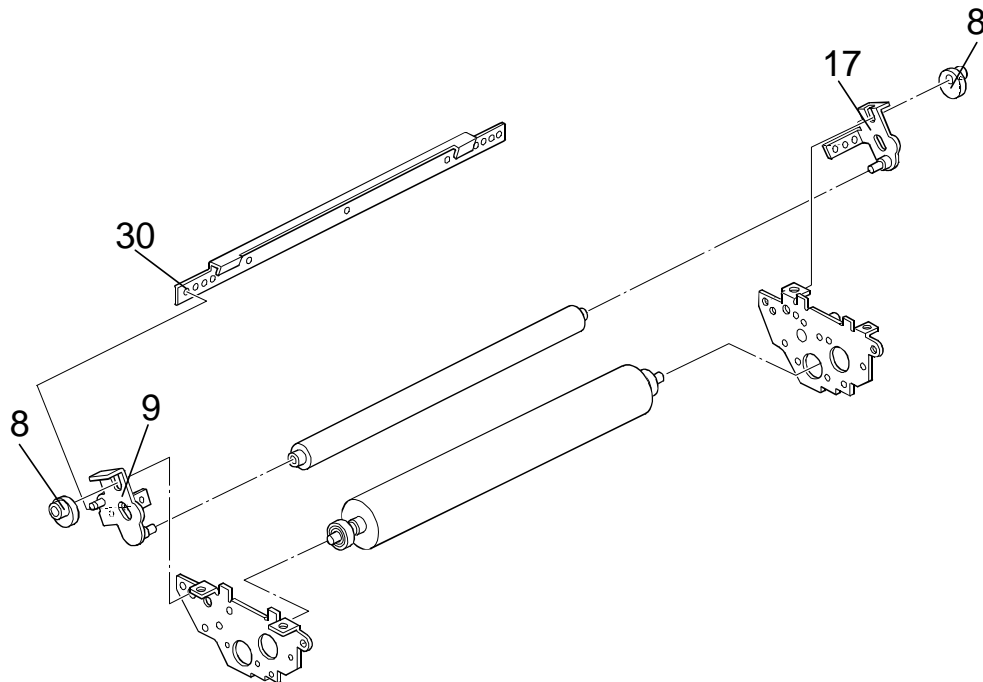


Illustration for new parts listed above - Modification 2:



Reissued: 2-Mar-04

Model: PRIPORT SAPPHIRE/GARNET/SA2	Date: 3-Sep-03	No: M-C235-007a
---	-----------------------	------------------------

CUT-IN SERIAL NUMBERS

Modification 1:

Model Name	V/Hz	Destination	Code	Serial Number
Standard SD630	120/60	USA, Canada	C235-11	F0130800001
Ricoh JP8000	120/60	USA, Canada	C235-17	
Ges 5490, Rex 1395, Nsa CP490	230/50	Europe, etc.	C235-22	
Ricoh JP8000	230/50	Europe, etc.	C235-27	
Ges 5490, Savin 3450DNP	120/60	USA, Canada	C235-51	
Standard SD450	120/60	USA, Canada	C239-11	F2330700001
Ges 5450+, Rex 1560+, Nsa CP450+	230/50	Europe, etc.	C239-22	F2330800031
Ricoh JP5500	230/50	Europe, etc.	C239-27	F2330700035
Ricoh JP5500, Ges 5455, Savin 3360DNP, Lanier LDD150	120/60	USA, Canada	C239-52	F2330700071
Standard SD650	120/60	USA, Canada	C244-11	F1830700001
Ges 5490+, Rex 1395+, Nsa CP490+	230/50	Europe, etc.	C244-22	F1830800001
Ricoh JP8500	230/50	Europe, etc.	C244-27	F1830700008
Ricoh JP8500, Ges 5499, Savin 3460DNP, Lanier LDD180	120/60	USA, Canada	C244-52	F1830800054

Model Name	Destination	Code	Serial Number
Color Drum Type 55L	USA, Canada, Europe, etc.	C577-59	F2130700001
Color Drum Type 55S	USA, Canada, Europe, etc.	C587-59	F2230700001
Color Drum Type 80L	USA, Canada, Europe, etc.	C602-59	F0330700001
Color Drum Type 80S	USA, Canada, Europe, etc.	C605-59	F0430700001

Modification 2:

Model Name	V/Hz	Destination	Code	Serial Number
Standard SD630	120/60	USA, Canada	C235-11	F0130800001
Ricoh JP8000	120/60	USA, Canada	C235-17	
Ges 5490, Rex 1395, Nsa CP490	230/50	Europe, etc.	C235-22	
Ricoh JP8000	230/50	Europe, etc.	C235-27	
Ges 5490, Savin 3450DNP	120/60	USA, Canada	C235-51	
Standard SD650	120/60	USA, Canada	C244-11	F1830900004
Ges 5490+, Rex 1395+, Nsa CP490+	230/50	Europe, etc.	C244-22	F1830800001
Ricoh JP8500	230/50	Europe, etc.	C244-27	F1830900001
Ricoh JP8500, Ges 5499, Savin 3460DNP, Lanier LDD180	120/60	USA, Canada	C244-52	October 2003~

Model Name	Destination	Code	Serial Number
Color Drum Type 80L	USA, Canada, Europe, etc.	C602-59	F0330900001
Color Drum Type 80S	USA, Canada, Europe, etc.	C605-59	F0430900001

Model: PRIPORT SAPPHIRE/GARNET/SA2	Date: 3-Sep-03	No: M-C235-008
Modified Article: Parts catalog correction	Prepared by:	
From: Priport Service Planning Section	A. Yoshida	
Classification:	<input checked="" type="checkbox"/> Parts catalog correction <input type="checkbox"/> Vendor change <input type="checkbox"/> To meet standards <input type="checkbox"/> To facilitate assembly <input type="checkbox"/> To improve reliability () <input type="checkbox"/> Part standardization <input type="checkbox"/> Other ()	
Model Name:		
SAPPHIRE: Ricoh JP8000, Gestetner 5490, RexRotary 1395, nashuatec CP490, Savin 3450DNP, Standard SD630 GARNET: Ricoh JP5500, Gestetner 5450+/5455, RexRotary1560+, nashuatec CP450+, Savin 3360DNP, Standard SD450, Lanier LDD150 SA2: Ricoh JP8500, Gestetner 5490+/5499, RexRotary1395+, nashuatec CP490+, Savin 3460DNP, Standard SD650, Lanier LDD180		

Please make the following corrections to your Parts Catalogs.

● **Deletion:**

Garnet Parts Catalog

Part Number	Description	Qty	Page	Index
C2392303	Drum Unit - DLT	1	43	*
C2392309	Drum Unit - DLT	1	43	*

● **Addition:**

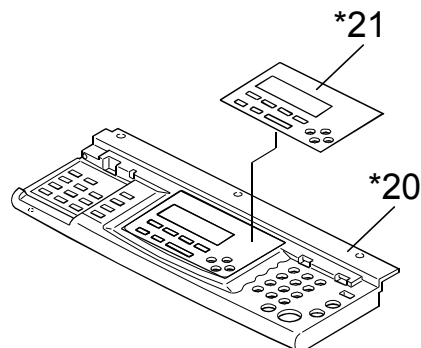
Sapphire Parts Catalog

Part Number	Description	Qty	Page	Index
C2351510	Operation Panel Case - NA	1	15	*20
C2351471	Operation Panel Case - EU	1	15	*20
C2291511	Sheet - Display Board Monitor - NA	1	15	*21
C2291514	Sheet - Display Board Monitor - EU	1	15	*21

SA2 Parts Catalog

Part Number	Description	Qty	Page	Index
C2441510	Operation Panel Case - NA	1	7	*20
C2441517	Operation Panel Case - EU	1	7	*20

*: New index



Model: PRIPORT SAPPHIRE/GARNET/SA2**Date:** 3-Sep-03**No:** M-C235-008**CUT IN SERIAL NUMBERS**

Model Name	V/Hz	Destination	Code	Serial Number
Standard SD630	120/60	USA, Canada	C235-11	-
Ricoh JP8000	120/60	USA, Canada	C235-17	-
Ges 5490, Rex 1395, Nsa CP490	230/50	Europe, etc.	C235-22	-
Ricoh JP8000	230/50	Europe, etc.	C235-27	-
Ges 5490, Savin 3450DNP	120/60	USA, Canada	C235-51	-
Standard SD450	120/60	USA, Canada	C239-11	-
Ges 5450+, Rex 1560+, Nsa CP450+	230/50	Europe, etc.	C239-22	-
Ricoh JP5500	230/50	Europe, etc.	C239-27	-
Ricoh JP5500, Ges 5455, Savin 3360DNP, Lanier LDD150	120/60	USA, Canada	C239-52	-
Standard SD650	120/60	USA, Canada	C244-11	-
Ges 5490+, Rex 1395+, Nsa CP490+	230/50	Europe, etc.	C244-22	-
Ricoh JP8500	230/50	Europe, etc.	C244-27	-
Ricoh JP8500, Ges 5499, Savin 3460DNP, Lanier LDD180	120/60	USA, Canada	C244-52	-

Model: PRIPORT SAPPHIRE/GARNET/SA2		Date: 2-Oct-03	No: M-C235-009
Modified Article: Paper Length Sensor		Prepared by:	
From: Priport Service Planning Section		A. Yoshida	
Classification: <input type="checkbox"/> Parts catalog correction <input type="checkbox"/> Vendor change <input type="checkbox"/> To meet standards <input type="checkbox"/> To facilitate assembly <input checked="" type="checkbox"/> To improve reliability () <input type="checkbox"/> Part standardization <input type="checkbox"/> Other ()			
Model Name:			
SAPPHIRE: Ricoh JP8000, Gestetner 5490, RexRotary 1395, nashuatec CP490, Savin 3450DNP, Standard SD630			
GARNET: Ricoh JP5500, Gestetner 5450+/5455, RexRotary1560+, nashuatec CP450+, Savin 3360DNP, Standard SD450, Lanier LDD150			
SA2: Ricoh JP8500, Gestetner 5490+/5499, RexRotary1395+, nashuatec CP490+, Savin 3460DNP, Standard SD650, Lanier LDD180			

The paper length sensor has been changed to ensure paper size misdetections do not occur. Please refer to RTB #RC229014 for more details.

Sapphire Parts catalog

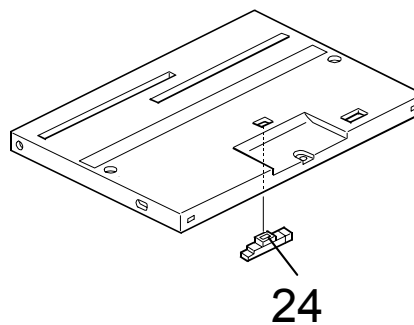
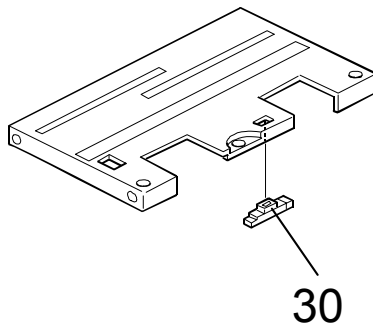
Old #	New #	Description	Qty	Int	Page	Index
C2295807	C2445807	Photosenser - GP2A210LCSJ	1	X/O	29	30

SA2 Parts catalog

Old #	New #	Description	Qty	Int	Page	Index
C2295807	C2445807	Photosenser - GP2A210LCSJ	1	X/O	19	30

Garnet Parts catalog

Old #	New #	Description	Qty	Int	Page	Index
C2295807	C2445807	Photosenser - GP2A210LCSJ	1	X/O	19	24



Model: PRIPORT SAPPHIRE/GARNET/SA2**Date:** 2-Oct-03**No:** M-C235-009**CUT IN SERIAL NUMBERS**

Model Name	V/Hz	Destination	Code	Serial Number
Standard SD630	120/60	USA, Canada	C235-11	F0131000001
Ricoh JP8000	120/60	USA, Canada	C235-17	
Ges 5490, Rex 1395, Nsa CP490	230/50	Europe, etc.	C235-22	
Ricoh JP8000	230/50	Europe, etc.	C235-27	
Ges 5490, Savin 3450DNP	120/60	USA, Canada	C235-51	
Standard SD450	120/60	USA, Canada	C239-11	F2331000001
Ges 5450+, Rex 1560+, Nsa CP450+	230/50	Europe, etc.	C239-22	
Ricoh JP5500	230/50	Europe, etc.	C239-27	
Ricoh JP5500, Ges 5455, Savin 3360DNP, Lanier LDD150	120/60	USA, Canada	C239-52	
Standard SD650	120/60	USA, Canada	C244-11	F1831000001
Ges 5490+, Rex 1395+, Nsa CP490+	230/50	Europe, etc.	C244-22	
Ricoh JP8500	230/50	Europe, etc.	C244-27	
Ricoh JP8500, Ges 5499, Savin 3460DNP, Lanier LDD180	120/60	USA, Canada	C244-52	

Reissued: 2-Mar-04

Serial Number Update

Serial Number information has been updated.

Model: PRIPORT SAPPHIRE/GARNET/SA2		Date: 9-Oct-03	No: M-C235-010a
Modified Article: Mylar peeling		Prepared by:	
From: Priport Service Planning Section		A. Yoshida	
Classification: <input type="checkbox"/> Parts catalog correction <input type="checkbox"/> Vendor change <input type="checkbox"/> To meet standards <input type="checkbox"/> To facilitate assembly <input checked="" type="checkbox"/> To improve reliability () <input type="checkbox"/> Part standardization <input type="checkbox"/> Other ()			
Model Name:			
SAPPHIRE: Ricoh JP8000, Gestetner 5490, RexRotary 1395, nashuatec CP490, Savin 3450DNP, Standard SD630			
GARNET: Ricoh JP5500, Gestetner 5450+/5455, RexRotary1560+, nashuatec CP450+, Savin 3360DNP, Standard SD450, Lanier LDD150			
SA2: Ricoh JP8500, Gestetner 5490+/5499, RexRotary1395+, nashuatec CP490+, Savin 3460DNP, Standard SD650, Lanier LDD180			

The adhesive between the metal screen shield [A] and metal screen [B] has been strengthened and the shape of the metal screen mylar [C] changed to ensure the Mylar stays properly fixed in place.

NOTE: The metal screen mylar [C] also includes the metal screen shield [A].

Sapphire parts catalog

Old #	New #	Description	Qty	Int	Page	Index
C2362493	C2362652	Drum Metal Screen Shield (A3)	1	X/O	55	4
C2362496	C2362655	Drum Metal Screen Shield (DLT)	1	X/O	55	4
C6052493	C6052496	Drum Metal Screen Shield (A4)	1	X/O	55	4
C2362491	C2362651	Drum Metal Screen Assembly (A3)	1	X/O	55	8
C2362495	C2362654	Drum Metal Screen Assembly (DLT)	1	X/O	55	8
C6052491	C6052495	Drum Metal Screen Assembly (A4)	1	X/O	55	8

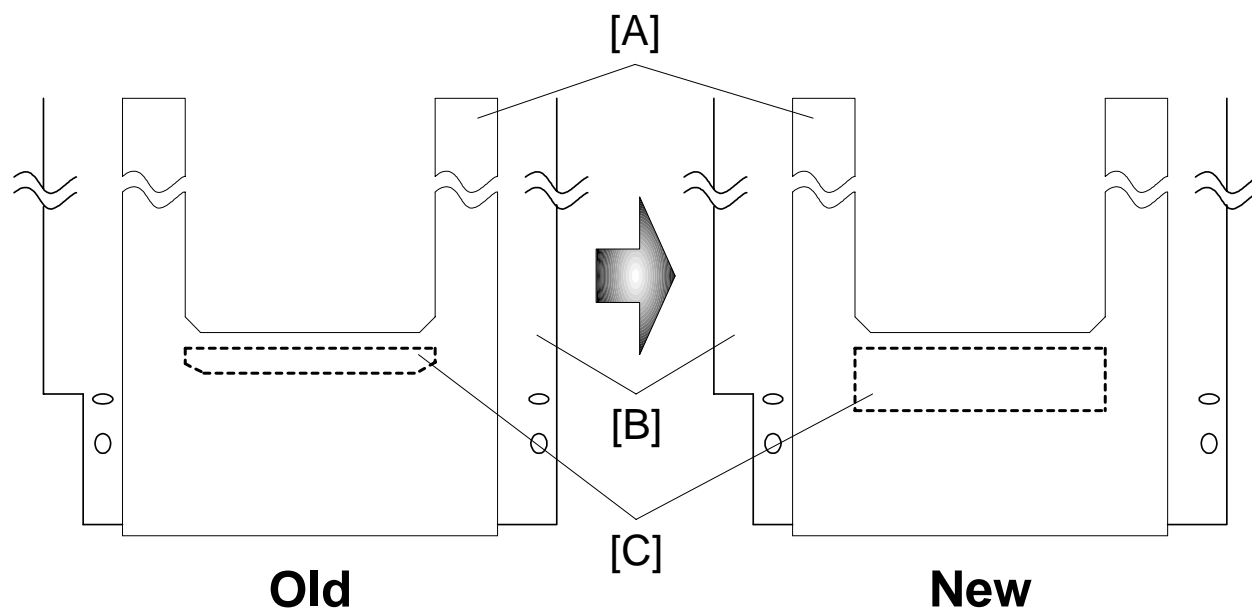
SA2 parts catalog

Old #	New #	Description	Qty	Int	Page	Index
C2362493	C2362652	Drum Metal Screen Shield (A3)	1	X/O	45	4
C2362496	C2362655	Drum Metal Screen Shield (DLT)	1	X/O	45	4
C6052493	C6052496	Drum Metal Screen Shield (A4)	1	X/O	45	4
C2362491	C2362651	Drum Metal Screen Assembly (A3)	1	X/O	45	8
C2362495	C2362654	Drum Metal Screen Assembly (DLT)	1	X/O	45	8
C6052491	C6052495	Drum Metal Screen Assembly (A4)	1	X/O	45	8

Garnet parts catalog

Old #	New #	Description	Qty	Int	Page	Index
C2392653	C2392657	Drum Metal Screen Shield (A3)	1	X/O	45	4
C2392661	C2392659	Drum Metal Screen Shield (DLT)	1	X/O	45	4
C6052493	C6052496	Drum Metal Screen Shield (A4)	1	X/O	45	4
C2392491	C2392656	Drum Metal Screen Assembly (A3)	1	X/O	45	8
C2392660	C2392658	Drum Metal Screen Assembly (DLT)	1	X/O	45	8
C5872660	C5872662	Drum Metal Screen Assembly (A4)	1	X/O	45	8

Reissued: 2-Mar-04

Model: PRIPORT SAPPHIRE/GARNET/SA2**Date:** 9-Oct-03**No:** M-C235-010a**[A] Metal Screen Shield****[B] Metal Screen****[C] Metal Screen Mylar**

Reissued: 2-Mar-04

Model: PRIPORT SAPPHIRE/GARNET/SA2	Date: 9-Oct-03	No: M-C235-010a
---	-----------------------	------------------------

CUT IN SERIAL NUMBERS

Model Name	V/Hz	Destination	Code	Serial Number
Standard SD630	120/60	USA, Canada	C235-11	F0131000001
Ricoh JP8000	120/60	USA, Canada	C235-17	
Ges 5490, Rex 1395, Nsa CP490	230/50	Europe, etc.	C235-22	
Ricoh JP8000	230/50	Europe, etc.	C235-27	
Ges 5490, Savin 3450DNP	120/60	USA, Canada	C235-51	
Standard SD450	120/60	USA, Canada	C239-11	F2331000001
Ges 5450+, Rex 1560+, Nsa CP450+	230/50	Europe, etc.	C239-22	
Ricoh JP5500	230/50	Europe, etc.	C239-27	
Ricoh JP5500, Ges 5455, Savin 3360DNP, Lanier LDD150	120/60	USA, Canada	C239-52	
Standard SD650	120/60	USA, Canada	C244-11	F1830900004
Ges 5490+, Rex 1395+, Nsa CP490+	230/50	Europe, etc.	C244-22	F1830800001
Ricoh JP8500	230/50	Europe, etc.	C244-27	F1830900001
Ricoh JP8500, Ges 5499, Savin 3460DNP, Lanier LDD180	120/60	USA, Canada	C244-52	F1831000027

Model Name	Destination	Code	Serial Number
Color Drum Type 55L	USA, Canada, Europe, etc.	C577-59	F2131200001
Color Drum Type 55S	USA, Canada, Europe, etc.	C587-59	F2230900001
Color Drum Type 80L	USA, Canada, Europe, etc.	C602-59	F0330900001
Color Drum Type 80S	USA, Canada, Europe, etc.	C605-59	F0430900001

Model: PRIPORT SAPPHIRE/GARNET/SA2/SA2P		Date: 27-Nov-03	No: M-C235-011
Modified Article: New Model SA2P information (China only)		Prepared by:	
From: Priport Service Planning Section		M. Ohtsubo	
Classification:	<input type="checkbox"/> Parts catalog correction	<input type="checkbox"/> Vendor change	<input type="checkbox"/> To meet standards
	<input type="checkbox"/> To facilitate assembly	<input type="checkbox"/> To improve reliability	()
	<input type="checkbox"/> Part standardization	<input checked="" type="checkbox"/> Other (New model information)	
Model Name:			
SAPPHIRE:	Ricoh JP8000, Gestetner 5490, RexRotary 1395, nashuatec CP490, Savin 3450DNP, Standard SD630		
GARNET:	Ricoh JP5500, Gestetner 5450+/5455, RexRotary1560+, nashuatec CP450+, Savin 3360DNP, Standard SD450, Lanier LDD150		
SA2:	Ricoh JP8500, Gestetner 5490+/5499, RexRotary1395+, nashuatec CP490+, Savin 3460DNP, Standard SD650, Lanier LDD180		
SA2P (China only):	Ricoh JP8510P, Gestetner 5500P		

This bulletin lists the components unique to Model SA2P (C255). Please add this list and accompanying illustration to your SA2 (C244) Parts Catalogs.

Notes: Please also see RTB #R-C229-017 for revisions made to the Service Manual due to minor changes applied to Model SA2P.

Model: PRIPORT SAPPHIRE/GARNET/SA2/SA2P**Date:** 27-Nov-03**No:** M-C235-011**1. EXTERIOR 1**

Sec	Index	Parts No.	Description	Q'ty	Page
1	21	C255 1340	Decal – Emblem JP8510P	1	3
1	21	C255 1341	Decal – Emblem 5500P	1	3

2. EXTERIOR 2

Sec	Index	Parts No.	Description	Q'ty	Page
2	3	C229 1358	Decal- Cylinder Operation – CHN	1	5
2	6	C255 1459	Operation Panel Ass'y – CHN	1	5
2	7	C233 1291	Decal - Caption LED – CHN	1	5

3. OPERATION PANEL

Sec	Index	Parts No.	Description	Q'ty	Page
3	2	C255 1522	Sheet - On Line – CHN	1	7
3	3	C255 1523	Behind Sheet – CHN	1	7
3	19	C255 1521	Sheet - Display Board Monitor – CHN	1	7

20. DELIVERY TABLE 1

Sec	Index	Parts No.	Description	Q'ty	Page
20	20	C238 4397	Rear Lower Guide – CHN	1	41
20	30	C238 4398	Front Lower Guide – CHN	1	41

21. DRUM UNIT 1

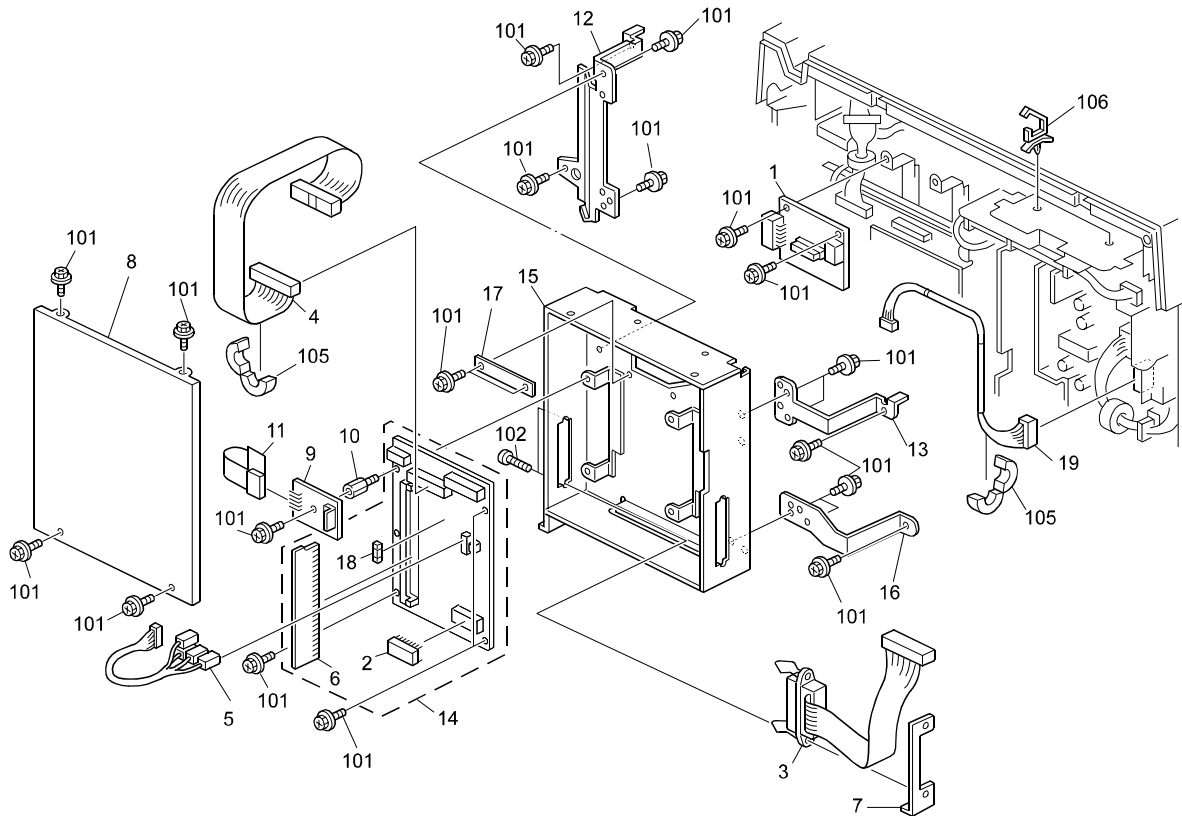
Sec	Index	Parts No.	Description	Q'ty	Page
21	21	C229 1353	Decal - Drum Operation – CHN	1	43
21	27	C229 2318	Drum Rail Ass'y – CHN	1	43

37. ELECTRICAL SECTION 2

Sec	Index	Parts No.	Description	Q'ty	Page
37	16	C255 5838	Power Supply Cord – CHN	1	75
21	27	C229 2318	Drum Rail Ass'y – CHN	1	43

40.DECALS AND DOCUMENTS

Sec	Index	Parts No.	Description	Q'ty	Page
40	5	C255 8606	Operating Instructions – CHN (RIC/GES)	1	87

27. PRINTER CONTROLLER UNIT

Model: PRIPORT SAPPHIRE/GARNET/SA2/SA2P

Date: 27-Nov-03

No: M-C235-011

Sec	Index	Parts No.	Description	Q'ty	Note
27	1	C607 5150	Video I/F Board	1	
27	2	C613 5012	Flash Memory	1	
27	3	C249 5415	Interface Harness	1	
27	4	C253 5401	Flat Cable	1	
27	5	C249 1002	Panel Harness	1	
27	6	C613 5005	SIMM 16MB	1	
27	7	C249 5646	Plate	1	
27	8	C613 5645	Shading Plate	1	
27	9	C613 1005	Keypad PCB	1	
27	10	C249 5659	Keypad PCB Stud	1	
27	11	C613 1011	Panel	1	
27	12	C607 5651	Stand – Left	1	
27	13	C607 5652	Stand – Right	1	
27	14	C613 5297	Controller Board	1	
27	15	C613 5631	Controller Box	1	
27	16	C607 5653	Stand – Lower Right	1	
27	17	C218 3039	Flat Cable Clamp	1	
27	18	11070914	Fuse 451001.MR	1	
27	19	C255 5301	Controller Power Cable	1	
27	101	04513006B	Tapping Screw – M3x6		
27	102	03530080Z	Philips Trass Head Screw – M3x8		
27	103	07120030B	Hexagon nut – M3		
27	104	04514006B	Tapping Screw - 4x6		
27	105	16070663	Ferrite Core		
27	106	11050310	Harness Clamp		
27	-	C613 6036	CDROM – CHN		
27	-	C613 8626	Operating Instructions – CHN		

Model: PRIPORT SAPPHIRE/GARNET/SA2/SA2P		Date: 8-Jan-04	No: M-C235-012
Modified Article: Ink pump case		Prepared by:	
From: Priport Service Planning Section		A. Yoshida	
Classification: <input type="checkbox"/> Parts catalog correction <input type="checkbox"/> Vendor change <input type="checkbox"/> To meet standards <input type="checkbox"/> To facilitate assembly <input checked="" type="checkbox"/> To improve reliability () <input type="checkbox"/> Part standardization <input type="checkbox"/> Other ()			
Model Name:			
SAPPHIRE:	Ricoh JP8000, Gestetner 5490, RexRotary 1395, nashuatec CP490, Savin 3450DNP, Standard SD630		
GARNET:	Ricoh JP5500, Gestetner 5450+/5455, RexRotary1560+, nashuatec CP450+, Savin 3360DNP, Standard SD450, Lanier LDD150		
SA2:	Ricoh JP8500, Gestetner 5490+/5499, RexRotary1395+, nashuatec CP490+, Savin 3460DNP, Standard SD650, Lanier LDD180		
SA2P (China only):	Ricoh JP8510P, Gestetner 5500P		

The shape of the ink pump case (P/N #C2292532) has been changed to further ensure proper ink supply to the drum.

Sapphire Parts Catalog

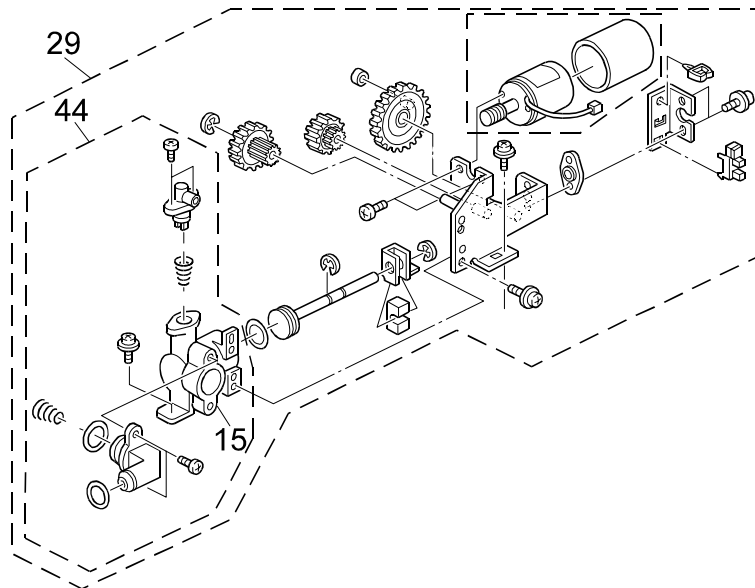
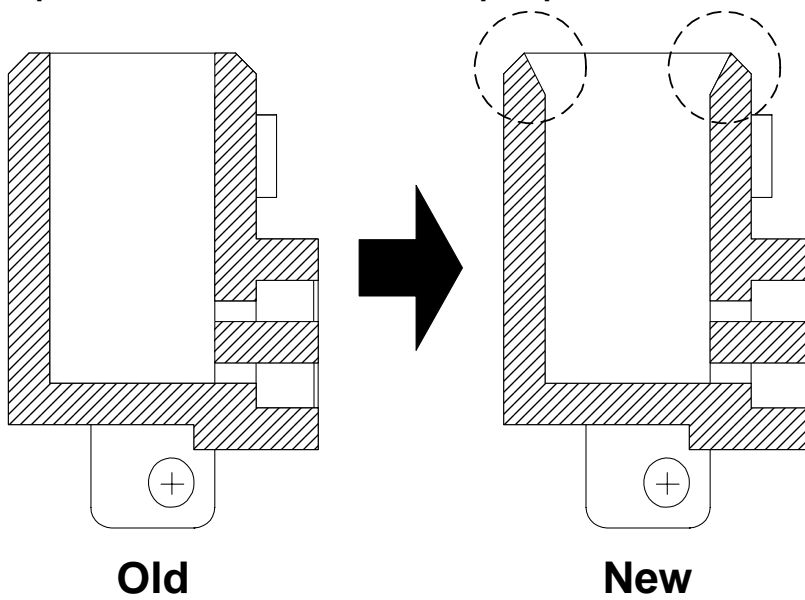
Old #	New #	Description	Qty	Int	Page	Index
C2292532	C2362532	Pump Case	1	X/O	57	15
C2362501	C2362508	Drum Pump Assembly	1	X/O	57	29
C2292502	C2362510	Ink Pump Assembly	1	X/O	57	44

SA2 Parts Catalog

Old #	New #	Description	Qty	Int	Page	Index
C2292532	C2362532	Pump Case	1	X/O	47	15
C2362501	C2362508	Drum Pump Assembly	1	X/O	47	29
C2292502	C2362510	Ink Pump Assembly	1	X/O	47	44

Garnet Parts Catalog

Old #	New #	Description	Qty	Int	Page	Index
C2292532	C2362532	Pump Case	1	X/O	47	15
C2292501	C2362509	Drum Pump Assembly	1	X/O	47	29
C2292502	C2362510	Ink Pump Assembly	1	X/O	47	44

Illustrations**A partial cross section of the ink pump case**

Model: PRIPORT SAPPHIRE/GARNET/SA2/SA2P

Date: 8-Jan-04

No: M-C235-012

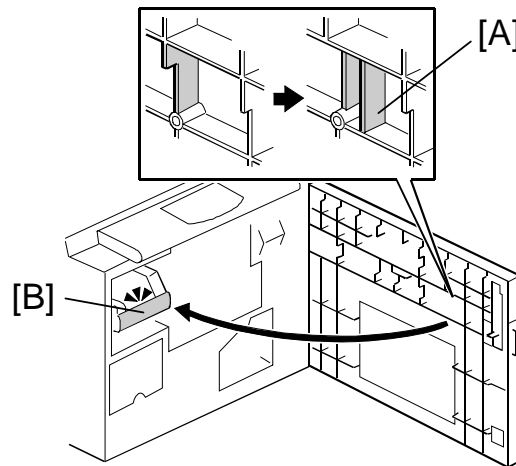
CUT IN SERIAL NUMBERS

Model Name	V/Hz	Destination	Code	Serial Number
Standard SD630	120/60	USA, Canada	C235-11	F0131100001
Ricoh JP8000	120/60	USA, Canada	C235-17	
Ges 5490, Rex 1395, Nsa CP490	230/50	Europe, etc.	C235-22	
Ricoh JP8000	230/50	Europe, etc.	C235-27	
Ges 5490, Savin 3450DNP	120/60	USA, Canada	C235-51	
Standard SD450	120/60	USA, Canada	C239-11	F2331100001
Ges 5450+, Rex 1560+, Nsa CP450+	230/50	Europe, etc.	C239-22	
Ricoh JP5500	230/50	Europe, etc.	C239-27	
Ricoh JP5500, Ges 5455, Savin 3360DNP, Lanier LDD150	120/60	USA, Canada	C239-52	
Standard SD650	120/60	USA, Canada	C244-11	F1831100001
Ges 5490+, Rex 1395+, Nsa CP490+	230/50	Europe, etc.	C244-22	
Ricoh JP8500	230/50	Europe, etc.	C244-27	
Ricoh JP8500, Ges 5499, Savin 3460DNP, Lanier LDD180	120/60	USA, Canada	C244-52	
Ricoh JP8510P, Ges 5500P	230/50	China	C255-33	From first mass-production

Model: PRIPORT SAPPHIRE/GARNET/SA2/SA2P		Date: 16-Jan-04	No: M-C235-013
Modified Article: Door Cover		Prepared by:	
From: Priport Service Planning Section		A. Yoshida	
Classification:	<input type="checkbox"/> Parts catalog correction	<input type="checkbox"/> Vendor change	<input type="checkbox"/> To meet standards
	<input type="checkbox"/> To facilitate assembly	<input checked="" type="checkbox"/> To improve reliability	()
	<input type="checkbox"/> Part standardization	<input type="checkbox"/> Other ()	
Model Name:			
SAPPHIRE:	Ricoh JP8000, Gestetner 5490, RexRotary 1395, nashuatec CP490, Savin 3450DNP, Standard SD630		
GARNET:	Ricoh JP5500, Gestetner 5450+/5455, RexRotary1560+, nashuatec CP450+, Savin 3360DNP, Standard SD450, Lanier LDD150		
SA2:	Ricoh JP8500, Gestetner 5490+/5499, RexRotary1395+, nashuatec CP490+, Savin 3460DNP, Standard SD650, Lanier LDD180		
SA2P (China only):	Ricoh JP8510P, Gestetner 5500P		

Note that the following applies only to the Sapphire.

A rib [A] has been added to the door cover to ensure the Master Eject Box [B] is properly set in the mainframe.



Sapphire Parts Catalog

Old #	New #	Description	Qty	Int	Page	Index
C2291253	C2361253	Door Cover	1	X/O	11/97	1/1

Model: PRIPORT SAPPHIRE/GARNET/SA2/SA2P

Date: 16-Jan-04

No: M-C235-013

CUT IN SERIAL NUMBERS

Model Name	V/Hz	Destination	Code	Serial Number
Standard SD630	120/60	USA, Canada	C235-11	F0120100001~
Ricoh JP8000	120/60	USA, Canada	C235-17	F0120200001~
Ges 5490, Rex 1395, Nsa CP490	230/50	Europe, etc.	C235-22	F0120100006~
Ricoh JP8000	230/50	Europe, etc.	C235-27	F0120100021~
Ges 5490, Savin 3450DNP	120/60	USA, Canada	C235-51	F0120400011~
Standard SD450	120/60	USA, Canada	C239-11	-
Ges 5450+, Rex 1560+, Nsa CP450+	230/50	Europe, etc.	C239-22	-
Ricoh JP5500	230/50	Europe, etc.	C239-27	-
Ricoh JP5500, Ges 5455, Savin 3360DNP, Lanier LDD150	120/60	USA, Canada	C239-52	-
Standard SD650	120/60	USA, Canada	C244-11	-
Ges 5490+, Rex 1395+, Nsa CP490+	230/50	Europe, etc.	C244-22	-
Ricoh JP8500	230/50	Europe, etc.	C244-27	-
Ricoh JP8500, Ges 5499, Savin 3460DNP, Lanier LDD180	120/60	USA, Canada	C244-52	-
Ricoh JP8510P, Ges 5500P	230/50	China	C255-33	-

Model: PRIPORT SAPPHIRE/GARNET/SA2/SA2P		Date: 4-Feb-04	No: M-C235-014
Modified Article: Main Motor Control Board		Prepared by:	
From: Priport Service Planning Section		A. Yoshida	
Classification:	<input type="checkbox"/> Parts catalog correction	<input type="checkbox"/> Vendor change	<input type="checkbox"/> To meet standards
	<input type="checkbox"/> To facilitate assembly	<input checked="" type="checkbox"/> To improve reliability	()
	<input type="checkbox"/> Part standardization	<input type="checkbox"/> Other ()	
Model Name:			
SAPPHIRE:	Ricoh JP8000, Gestetner 5490, RexRotary 1395, nashuatec CP490, Savin 3450DNP, Standard SD630		
GARNET:	Ricoh JP5500, Gestetner 5450+/5455, RexRotary1560+, nashuatec CP450+, Savin 3360DNP, Standard SD450, Lanier LDD150		
SA2:	Ricoh JP8500, Gestetner 5490+/5499, RexRotary1395+, nashuatec CP490+, Savin 3460DNP, Standard SD650, Lanier LDD180		
SA2P (China only):	Ricoh JP8510P, Gestetner 5500P		

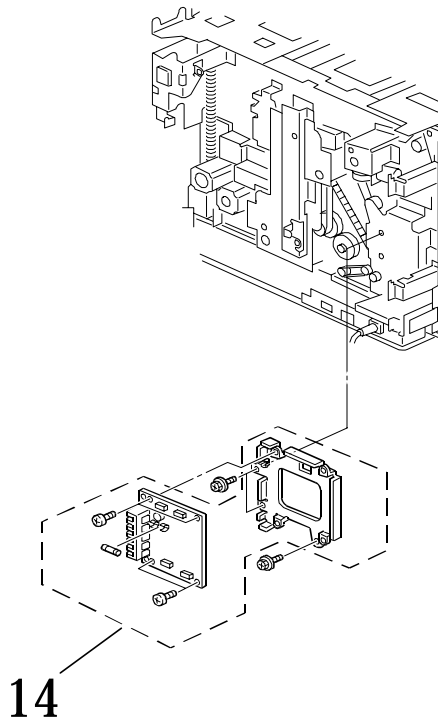
The following has been changed to optimize the detection conditions of SC05-01 (Main motor lock) so that unnecessary occurrences are eliminated.

Sapphire Parts Catalog

Old #	New #	Description	Qty	Int	Page	Index
C2335150	C2395150	Main Motor Control Board Assembly	1	X/O	83	14

Garnet/SA2 Parts Catalog

Old #	New #	Description	Qty	Int	Page	Index
C2335150	C2395150	Main Motor Control Board Assembly	1	X/O	73	14



Model: PRIPORT SAPPHIRE/GARNET/SA2/SA2P

Date: 4-Feb-04

No: M-C235-014

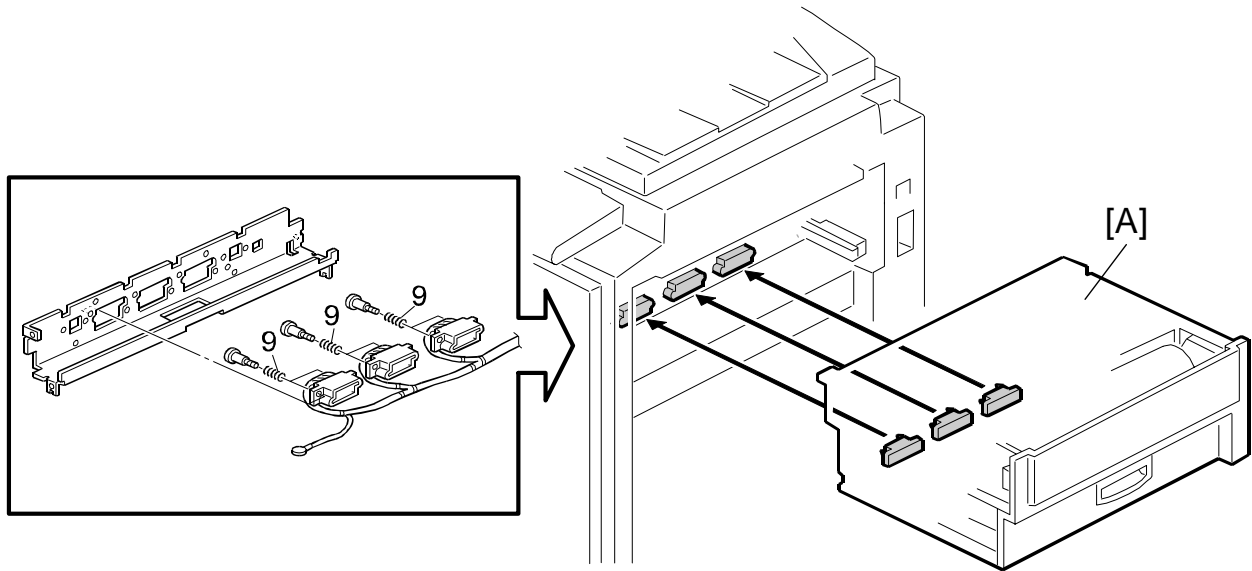
CUT IN SERIAL NUMBERS

Model Name	V/Hz	Destination	Code	Serial Number
Standard SD630	120/60	USA, Canada	C235-11	F0131200001
Ricoh JP8000	120/60	USA, Canada	C235-17	
Ges 5490, Rex 1395, Nsa CP490	230/50	Europe, etc.	C235-22	
Ricoh JP8000	230/50	Europe, etc.	C235-27	
Ges 5490, Savin 3450DNP	120/60	USA, Canada	C235-51	
Standard SD450	120/60	USA, Canada	C239-11	F2331200001
Ges 5450+, Rex 1560+, Nsa CP450+	230/50	Europe, etc.	C239-22	
Ricoh JP5500	230/50	Europe, etc.	C239-27	
Ricoh JP5500, Ges 5455, Savin 3360DNP, Lanier LDD150	120/60	USA, Canada	C239-52	
Standard SD650	120/60	USA, Canada	C244-11	F1831200001
Ges 5490+, Rex 1395+, Nsa CP490+	230/50	Europe, etc.	C244-22	F1831200010
Ricoh JP8500	230/50	Europe, etc.	C244-27	F1831200016
Ricoh JP8500, Ges 5499, Savin 3460DNP, Lanier LDD180	120/60	USA, Canada	C244-52	F1831100032
Ricoh JP8510P, Ges 5500P	230/50	China	C255-33	F4331200001

Model: PRIORT SAPPHIRE/GARNET/SA2/SA2P		Date: 9-Mar-04	No: M-C235-015
Modified Article: Connector Spring		Prepared by:	
From: Priort Service Planning Section		A. Yoshida	
Classification:	<input type="checkbox"/> Parts catalog correction	<input type="checkbox"/> Vendor change	<input type="checkbox"/> To meet standards
	<input type="checkbox"/> To facilitate assembly	<input checked="" type="checkbox"/> To improve reliability	()
	<input type="checkbox"/> Part standardization	<input type="checkbox"/> Other ()	
Model Name:			
SAPPHIRE:	Ricoh JP8000, Gestetner 5490, RexRotary 1395, nashuatec CP490, Savin 3450DNP, Standard SD630		
GARNET:	Ricoh JP5500, Gestetner 5450+/5455, RexRotary1560+, nashuatec CP450+, Savin 3360DNP, Standard SD450, Lanier LDD150		
SA2:	Ricoh JP8500, Gestetner 5490+/5499, RexRotary1395+, nashuatec CP490+, Savin 3460DNP, Standard SD650, Lanier LDD180		
SA2P (China only):	Ricoh JP8510P, Gestetner 5500P		

Note that the following applies to the Garnet, SA2 and SA2P.

The pressure of the connector spring has been increased to ensure the master making unit [A] stays properly fixed in place and to further ensure that SC03-00 (Thermal head ID error) and white banding does not occur.



SA2/SA2P parts catalog

Old #	New #	Description	Qty	Int	Page	Index
AA063163	C2442267	Connector Spring	6	X/O	25	9

Garnet parts catalog

Old #	New #	Description	Qty	Int	Page	Index
AA063163	C2442267	Connector Spring	6	X/O	25	9

Model: PRIPORT SAPPHIRE/GARNET/SA2/SA2P

Date: 9-Mar-04

No: M-C235-015

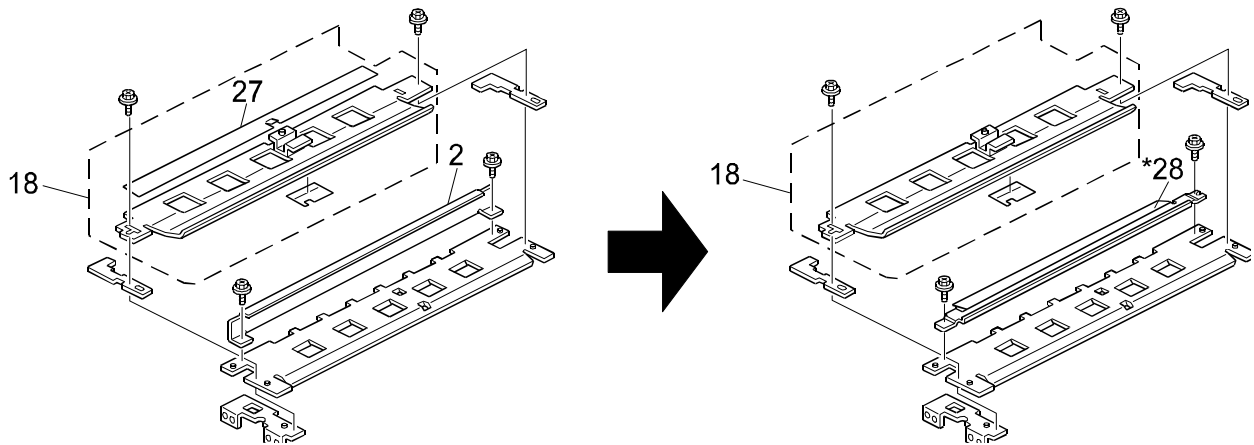
CUT IN SERIAL NUMBERS

Model Name	V/Hz	Destination	Code	Serial Number
Standard SD630	120/60	USA, Canada	C235-11	
Ricoh JP8000	120/60	USA, Canada	C235-17	
Ges 5490, Rex 1395, Nsa CP490	230/50	Europe, etc.	C235-22	
Ricoh JP8000	230/50	Europe, etc.	C235-27	
Ges 5490, Savin 3450DNP	120/60	USA, Canada	C235-51	
Standard SD450	120/60	USA, Canada	C239-11	F2340100001
Ges 5450+, Rex 1560+, Nsa CP450+	230/50	Europe, etc.	C239-22	
Ricoh JP5500	230/50	Europe, etc.	C239-27	
Ricoh JP5500, Ges 5455, Savin 3360DNP, Lanier LDD150	120/60	USA, Canada	C239-52	
Standard SD650	120/60	USA, Canada	C244-11	F1840200001
Ges 5490+, Rex 1395+, Nsa CP490+	230/50	Europe, etc.	C244-22	F1840100024
Ricoh JP8500	230/50	Europe, etc.	C244-27	F1840300001
Ricoh JP8500, Ges 5499, Savin 3460DNP, Lanier LDD180	120/60	USA, Canada	C244-52	F1840200027
Ricoh JP8510P, Ges 5500P	230/50	China	C255-33	F4340100001

Model: PRIPORT SAPPHIRE/GARNET/SA2/SA2P		Date: 15-Apr-04	No: M-C235-016
Modified Article: Upper Feed Guide Plate		Prepared by:	
From: Priport Service Planning Section		A. Yoshida	
Classification: <input type="checkbox"/> Parts catalog correction <input type="checkbox"/> Vendor change <input type="checkbox"/> To meet standards <input type="checkbox"/> To facilitate assembly <input checked="" type="checkbox"/> To improve reliability () <input type="checkbox"/> Part standardization <input type="checkbox"/> Other ()			
Model Name:			
SAPPHIRE:	Ricoh JP8000, Gestetner 5490, RexRotary 1395, nashuatec CP490, Savin 3450DNP, Standard SD630		
GARNET:	Ricoh JP5500, Gestetner 5450+/5455, RexRotary1560+, nashuatec CP450+, Savin 3360DNP, Standard SD450, Lanier LDD150		
SA2:	Ricoh JP8500, Gestetner 5490+/5499, RexRotary1395+, nashuatec CP490+, Savin 3460DNP, Standard SD650, Lanier LDD180		
SA2P (China only):	Ricoh JP8510P, Gestetner 5500P		

Note: The following applies to the Sapphire only.

The sheet plate guide (index #2) and guide plate sheet (index #27) have been combined into one part as shown, in order to feed the paper more smoothly and further ensure that misfeeds do not occur in between the drum and paper feed section (A/B jams).



Sapphire Parts Catalog

Old #	New #	Description	Qty	Int	Page	Index
C2362915	-	-	1->0	X/O as a set	37	2
C2362914	-	-	1->0		37	27
-	C2362927	Paper Feed Guide Plate Assembly	1		37	*28
C2362922	C2362923	Upper Feed Guide Plate Assembly	1	X/O	37	18

*: New index

Model: PRIPORT SAPPHIRE/GARNET/SA2/SA2P

Date: 15-Apr-04

No: M-C235-016

CUT IN SERIAL NUMBERS

Model Name	V/Hz	Destination	Code	Serial Number
Standard SD630	120/60	USA, Canada	C235-11	F0110400001
Ricoh JP8000	120/60	USA, Canada	C235-17	
Ges 5490, Rex 1395, Nsa CP490	230/50	Europe, etc.	C235-22	
Ricoh JP8000	230/50	Europe, etc.	C235-27	
Ges 5490, Savin 3450DNP	120/60	USA, Canada	C235-51	
Standard SD450	120/60	USA, Canada	C239-11	-
Ges 5450+, Rex 1560+, Nsa CP450+	230/50	Europe, etc.	C239-22	
Ricoh JP5500	230/50	Europe, etc.	C239-27	
Ricoh JP5500, Ges 5455, Savin 3360DNP, Lanier LDD150	120/60	USA, Canada	C239-52	
Standard SD650	120/60	USA, Canada	C244-11	
Ges 5490+, Rex 1395+, Nsa CP490+	230/50	Europe, etc.	C244-22	
Ricoh JP8500	230/50	Europe, etc.	C244-27	
Ricoh JP8500, Ges 5499, Savin 3460DNP, Lanier LDD180	120/60	USA, Canada	C244-52	
Ricoh JP8510P, Ges 5500P	230/50	China	C255-33	

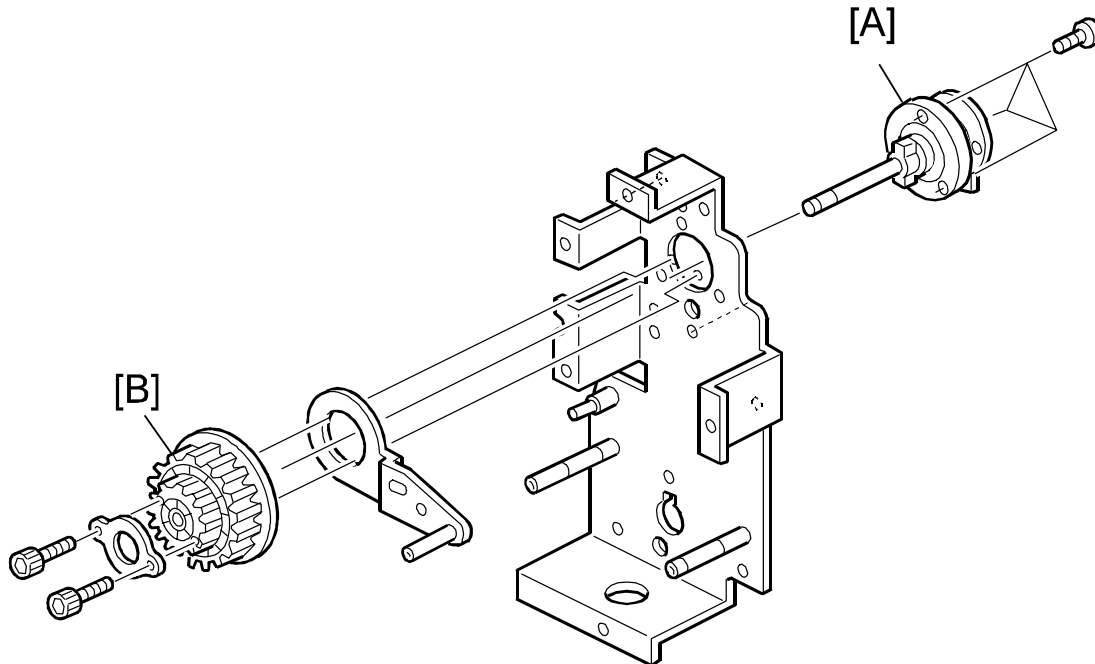
Model: PRIORT SAPPHIRE/GARNET/SA2/SA2P		Date: 10-May-04	No: M-C235-017
Modified Article: Parts catalog changes for Drum Drive Shaft		Prepared by:	
From: Priort Service Planning Section		K. Yamamoto	
Classification:	<input checked="" type="checkbox"/> Parts catalog correction	<input type="checkbox"/> Vendor change	<input type="checkbox"/> To meet standards
	<input type="checkbox"/> To facilitate assembly	<input type="checkbox"/> To improve reliability	()
	<input type="checkbox"/> Part standardization	<input type="checkbox"/> Other ()	
Model Name:			
SAPPHIRE:	Ricoh JP8000, Gestetner 5490, RexRotary 1395, nashuatec CP490, Savin 3450DNP, Standard SD630		
GARNET:	Ricoh JP5500, Gestetner 5450+/5455, RexRotary1560+, nashuatec CP450+, Savin 3360DNP, Standard SD450, Lanier LDD150		
SA2:	Ricoh JP8500, Gestetner 5490+/5499, RexRotary1395+, nashuatec CP490+, Savin 3460DNP, Standard SD650, Lanier LDD180		
SA2P (China only):	Ricoh JP8510P, Gestetner 5500P		

Note that the following applies only to the SAPPHIRE.

The shape of drum drive shaft [A] and timing pulley – drum drive [B] were changed to prevent wear to the drum drive shaft.

Old part number	New part number	Description	Q'ty	Int	Page	Index
C2291090	C2331090	Drum Drive Shaft	1	X/O as a set	23	12
C2291092	C2331092	Timing Pulley - Drum Drive	1		25	12

Note: Replace the Drum Drive Shaft and the Timing Pulley together as a set.



Model: PRIPORT SAPPHIRE/GARNET/SA2/SA2P

Date: 10-May-04

No: M-C235-017

CUT IN SERIAL NUMBERS

Model Name	V/Hz	Destination	Code	Serial Number
Standard SD630	120/60	USA, Canada	C235-11	F011090001~
Ricoh JP8000	120/60	USA, Canada	C235-17	F011090021~
Ges 5490, Rex 1395, Nsa CP490	230/50	Europe, etc.	C235-22	F011090043~
Ricoh JP8000	230/50	Europe, etc.	C235-27	F011090073~
Ges 5490, Savin 3450DNP	120/60	USA, Canada	C235-51	F011090103~
Standard SD450	120/60	USA, Canada	C239-11	From first mass-production
Ges 5450+, Rex 1560+, Nsa CP450+	230/50	Europe, etc.	C239-22	
Ricoh JP5500	230/50	Europe, etc.	C239-27	
Ricoh JP5500, Ges 5455, Savin 3360DNP, Lanier LDD150	120/60	USA, Canada	C239-52	
Standard SD650	120/60	USA, Canada	C244-11	
Ges 5490+, Rex 1395+, Nsa CP490+	230/50	Europe, etc.	C244-22	
Ricoh JP8500	230/50	Europe, etc.	C244-27	
Ricoh JP8500, Ges 5499, Savin 3460DNP, Lanier LDD180	120/60	USA, Canada	C244-52	
Ricoh JP8510P, Ges 5500P	230/50	China	C255-33	

Model: PRIPORT SAPPHIRE/GARNET/SA2/SA2P		Date: 1-Sep-04	No: M-C235-018
Modified Article: Master Duct Sensor Bracket		Prepared by:	
From: Priport Service Planning Section		A. Yoshida	
Classification: <input type="checkbox"/> Parts catalog correction <input type="checkbox"/> Vendor change <input type="checkbox"/> To meet standards <input type="checkbox"/> To facilitate assembly <input checked="" type="checkbox"/> To improve reliability () <input type="checkbox"/> Part standardization <input type="checkbox"/> Other ()			
Model Name:			
SAPPHIRE:	Ricoh JP8000, Gestetner 5490, RexRotary 1395, nashuatec CP490, Savin 3450DNP, Standard SD630		
GARNET:	Ricoh JP5500, Gestetner 5450+/5455, RexRotary1560+, nashuatec CP450+, Savin 3360DNP, Standard SD450, Lanier LDD150		
SA2:	Ricoh JP8500, Gestetner 5490+/5499, RexRotary1395+, nashuatec CP490+, Savin 3460DNP, Standard SD650, Lanier LDD180		
SA2P (China only):	Ricoh JP8510P, Gestetner 5500P		

Note: This issue applies to the Garnet, SA2 and SA2P.

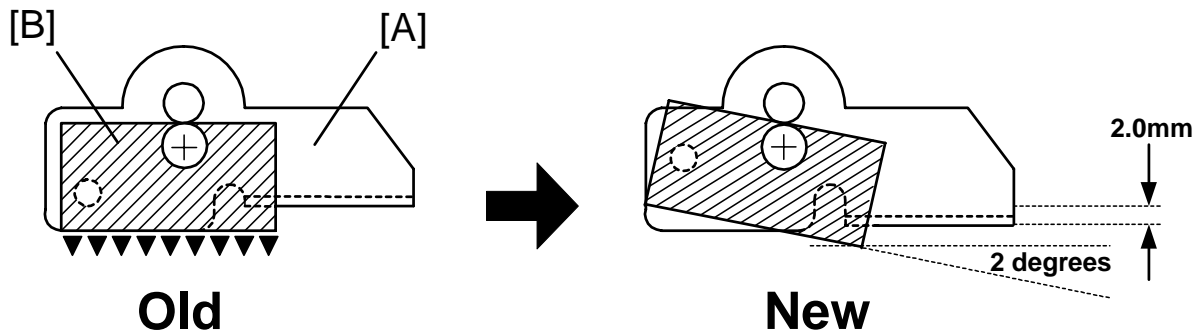
The shape of the master duct sensor bracket [A] was changed to ensure correct master detection (for details, see RTB #RC229021).

Garnet Parts Catalog

Old #	New #	Description	Qty	Int	Page	Index
C2392100	C2442100	Duct Sensor Bracket	1	X/O	65	41

SA2/SA2P Parts Catalog

Old #	New #	Description	Qty	Int	Page	Index
C2392100	C2442100	Duct Sensor Bracket	1	X/O	65	46



Note: The master duct sensor [B] is now attached at an angle of 2 degrees. This increases the detection distance by 2.0mm.

Model: PRIPORT SAPPHIRE/GARNET/SA2/SA2P

Date: 1-Sep-04

No: M-C235-018

CUT IN SERIAL NUMBERS

Model Name	V/Hz	Destination	Code	Serial Number
Standard SD630	120/60	USA, Canada	C235-11	-
Ricoh JP8000	120/60	USA, Canada	C235-17	-
Ges 5490, Rex 1395, Nsa CP490	230/50	Europe, etc.	C235-22	-
Ricoh JP8000	230/50	Europe, etc.	C235-27	-
Ges 5490, Savin 3450DNP	120/60	USA, Canada	C235-51	-
Standard SD450	120/60	USA, Canada	C239-11	F2340700001
Ges 5450+, Rex 1560+, Nsa CP450+	230/50	Europe, etc.	C239-22	
Ricoh JP5500	230/50	Europe, etc.	C239-27	
Ricoh JP5500, Ges 5455, Savin 3360DNP, Lanier LDD150	120/60	USA, Canada	C239-52	
Standard SD650	120/60	USA, Canada	C244-11	F1840900001
Ges 5490+, Rex 1395+, Nsa CP490+	230/50	Europe, etc.	C244-22	F1840700001
Ricoh JP8500	230/50	Europe, etc.	C244-27	
Ricoh JP8500, Ges 5499, Savin 3460DNP, Lanier LDD180	120/60	USA, Canada	C244-52	
Ricoh JP8510P, Ges 5500P	230/50	China	C255-33	F4340800001

Model: PRIPORT SAPPHIRE/GARNET/SA2/SA2P		Date: 21-Sep-04	No: M-C235-019
Modified Article: Feed Encoder Harness, Feed Start Sensor and Feed Encoder Sensor		Prepared by:	
From: Priport Service Planning Section		A. Yoshida	
Classification:	<input type="checkbox"/> Parts catalog correction	<input type="checkbox"/> Vendor change	<input type="checkbox"/> To meet standards
	<input type="checkbox"/> To facilitate assembly	<input checked="" type="checkbox"/> To improve reliability	()
	<input type="checkbox"/> Part standardization	<input type="checkbox"/> Other ()	
Model Name:			
SAPPHIRE:	Ricoh JP8000, Gestetner 5490, RexRotary 1395, nashuatec CP490, Savin 3450DNP, Standard SD630		
GARNET:	Ricoh JP5500, Gestetner 5450+/5455, RexRotary1560+, nashuatec CP450+, Savin 3360DNP, Standard SD450, Lanier LDD150		
SA2:	Ricoh JP8500, Gestetner 5490+/5499, RexRotary1395+, nashuatec CP490+, Savin 3460DNP, Standard SD650, Lanier LDD180		
SA2P (China only):	Ricoh JP8510P, Gestetner 5500P		

Change: Shapes of feed encoder harness [A], feed start sensor [B], feed encoder sensor [C], clamp [D], and feed encoder bracket [E].

Reason: To make sure that the harness stays connected to the sensor.

Note: See RTB #RC229024 for details.

Sapphire

Old #	New #	Description	Qty	Int	Page	Index
C2323090	C2443090	Feed Encoder Bracket	1	X/O	41	19
C2365226	C2445226	Feed Encoder Harness	1	X/O as a set	41	20
52055250	C2445805	Photo Interrupter	2		41	21
11050199	11050511	Harness Clamp - LWS-0306ZC	1	X/O	41	106
or						
C2365226	C2445226	Feed Encoder Harness	1	X/O as a set	41	20
-	C2443235	Paper Feed Control Assembly	1		41	*28
11050199	11050511	Harness Clamp - LWS-0306ZC	1	X/O	41	106

*: New index

NOTE: P/N #C2443235 (paper feed control assembly) includes #C2443090 (feed encoder bracket) and #C2445805 (photo interrupter).

Garnet/SA2/SA2P

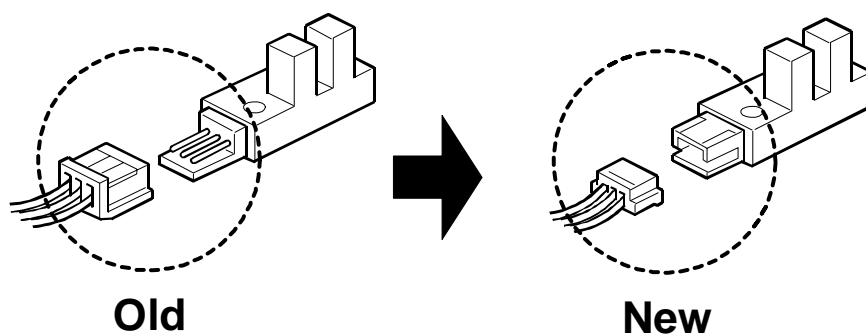
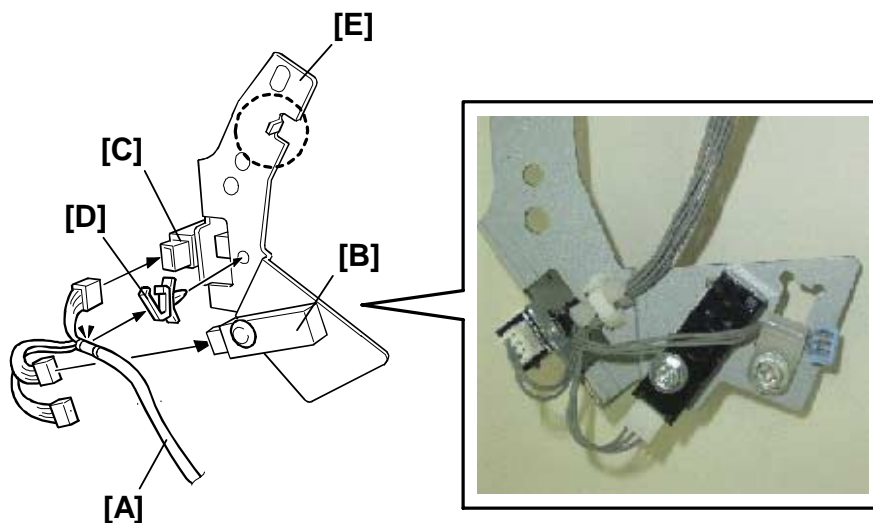
Old #	New #	Description	Qty	Int	Page	Index
C2323090	C2443090	Feed Encoder Bracket	1	X/O	31	19
C2365226	C2445226	Feed Encoder Harness	1	X/O as a set	31	20
52055250	C2445805	Photo Interrupter	2		31	21
11050199	11050511	Harness Clamp - LWS-0306ZC	1	X/O	31	106
or						
C2365226	C2445226	Feed Encoder Harness	1	X/O as a set	31	20
-	C2443235	Paper Feed Control Assembly	1		31	*26
11050199	11050511	Harness Clamp - LWS-0306ZC	1	X/O	31	106

*: New index

NOTE: P/N #C2443235 (paper feed control assembly) includes #C2443090 (feed encoder bracket) and #C2445805 (photo interrupter).

Model: PRIPORT SAPPHIRE/GARNET/SA2/SA2P**Date:** 21-Sep-04**No:** M-C235-019**Key:**

Feed encoder harness [A], feed start sensor [B], feed encoder sensor [C], clamp [D], feed encoder bracket [E].



Model: PRIPORT SAPPHIRE/GARNET/SA2/SA2P

Date: 21-Sep-04

No: M-C235-019

CUT IN SERIAL NUMBERS

Model Name	V/Hz	Destination	Code	Serial Number
Standard SD630	120/60	USA, Canada	C235-11	F0141000001
Ricoh JP8000	120/60	USA, Canada	C235-17	
Ges 5490, Rex 1395, Nsa CP490	230/50	Europe, etc.	C235-22	
Ricoh JP8000	230/50	Europe, etc.	C235-27	
Ges 5490, Savin 3450DNP	120/60	USA, Canada	C235-51	
Standard SD450	120/60	USA, Canada	C239-11	F2340900001
Ges 5450+, Rex 1560+, Nsa CP450+	230/50	Europe, etc.	C239-22	
Ricoh JP5500	230/50	Europe, etc.	C239-27	
Ricoh JP5500, Ges 5455, Savin 3360DNP, Lanier LDD150	120/60	USA, Canada	C239-52	
Standard SD650	120/60	USA, Canada	C244-11	F1841000001
Ges 5490+, Rex 1395+, Nsa CP490+	230/50	Europe, etc.	C244-22	
Ricoh JP8500	230/50	Europe, etc.	C244-27	
Ricoh JP8500, Ges 5499, Savin 3460DNP, Lanier LDD180	120/60	USA, Canada	C244-52	
Ricoh JP8510P, Ges 5500P	230/50	China	C255-33	F4340900001

Model: PRIPORT SAPPHIRE/GARNET/SA2/SA2P		Date: 9-Dec-04	No: M-C235-020
Modified Article: Ink Detection Board		Prepared by:	
From: Priport Service Planning Section		A. Yoshida	
Classification: <input type="checkbox"/> Parts catalog correction <input type="checkbox"/> Vendor change <input type="checkbox"/> To meet standards <input type="checkbox"/> To facilitate assembly <input checked="" type="checkbox"/> To improve reliability () <input type="checkbox"/> Part standardization <input type="checkbox"/> Other ()			
Model Name:			
SAPPHIRE:	Ricoh JP8000, Gestetner 5490, RexRotary 1395, nashuatec CP490, Savin 3450DNP, Standard SD630		
GARNET:	Ricoh JP5500, Gestetner 5450+/5455, RexRotary1560+, nashuatec CP450+, Savin 3360DNP, Standard SD450, Lanier LDD150		
SA2:	Ricoh JP8500, Gestetner 5490+/5499, RexRotary1395+, nashuatec CP490+, Savin 3460DNP, Standard SD650, Lanier LDD180		
SA2P (China only):	Ricoh JP8510P, Gestetner 5500P		

The ink detection board has been modified to further minimize effects from static electricity. When replacing this part, please be sure to do the adjustment described below.

Sapphire parts catalog

Old #	New #	Description	Qty	Int	Page	Index	Note
C2395140	C2395145	Ink Detection Board	1	X/O	53	15	-

Garnet/SA2 parts catalog

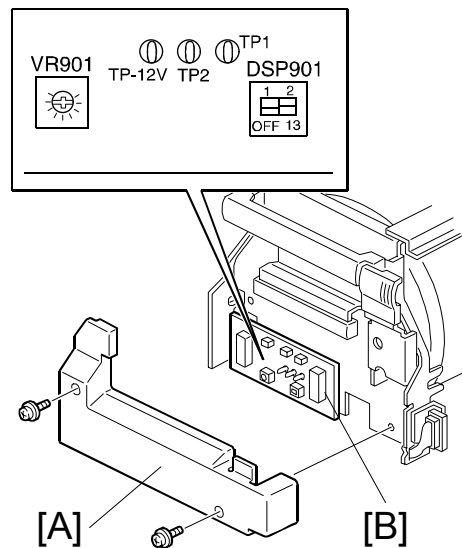
Old #	New #	Description	Qty	Int	Page	Index	Note
C2395140	C2395145	Ink Detection Board	1	X/O	43	15	-

INK DETECTION ADJUSTMENT

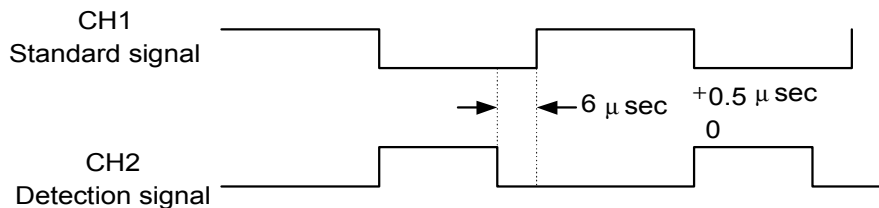
CAUTION: Before performing this procedure, wipe off the ink around the ink roller. To do this, set SP2-2-1 (Ink detection) to OFF, and feed the paper until the ink reaches the end condition. After completing the following procedure, make sure to return SP2-2-1 to its default (ink detection ON).

PROCEDURE:

1. Remove the drum front cover [A].
2. On the ink detection board [B], connect the probes and the grounding lead of an oscilloscope as follows:
 - Probe CH1 to TP1
 - Probe CH2 to TP2
 - Grounding lead to TP-12V (select the 5 μ range.)



3. Turn ON the main switch.
4. Make sure that the waveform is as shown in the top half of the following diagram when the ink detection pin is not in contact with the ink.



5. If incorrect, adjust the standard signal by turning VR901 on the ink detection board.

Model: PRIPORT SAPPHIRE/GARNET/SA2/SA2P	Date: 9-Dec-04	No: M-C235-020
--	-----------------------	-----------------------

CUT IN SERIAL NUMBERS

Model Name	V/Hz	Destination	Code	Serial Number
Standard SD630	120/60	USA, Canada	C235-11	F0140500001
Ricoh JP8000	120/60	USA, Canada	C235-17	
Ges 5490, Rex 1395, Nsa CP490	230/50	Europe, etc.	C235-22	
Ricoh JP8000	230/50	Europe, etc.	C235-27	
Ges 5490, Savin 3450DNP	120/60	USA, Canada	C235-51	
Standard SD450	120/60	USA, Canada	C239-11	F2340500001
Ges 5450+, Rex 1560+, Nsa CP450+	230/50	Europe, etc.	C239-22	
Ricoh JP5500	230/50	Europe, etc.	C239-27	
Ricoh JP5500, Ges 5455, Savin 3360DNP, Lanier LDD150	120/60	USA, Canada	C239-52	
Standard SD650	120/60	USA, Canada	C244-11	F1840900001
Ges 5490+, Rex 1395+, Nsa CP490+	230/50	Europe, etc.	C244-22	F1840400001
Ricoh JP8500	230/50	Europe, etc.	C244-27	
Ricoh JP8500, Ges 5499, Savin 3460DNP, Lanier LDD180	120/60	USA, Canada	C244-52	
Ricoh JP8510P, Ges 5500P	230/50	China	C255-33	F4340400001

Model Name	Destination	Code	Serial Number
Color Drum Type 55L	USA, Canada, Europe, etc.	C577-59	F2140600001
Color Drum Type 55S	USA, Canada, Europe, etc.	C587-59	F2240400001
Color Drum Type 80L	USA, Canada, Europe, etc.	C602-59	F0340700001
Color Drum Type 80S	USA, Canada, Europe, etc.	C605-59	F0440600001

Model: PRIPORT SAPPHIRE/GARNET/SA2/SA2P		Date: 20-Jan-05	No: M-C235-021
Modified Article: Paper Clamper		Prepared by:	
From: Priport Service Planning Section		A. Yoshida	
Classification: <input type="checkbox"/> Parts catalog correction <input type="checkbox"/> Vendor change <input type="checkbox"/> To meet standards <input type="checkbox"/> To facilitate assembly <input checked="" type="checkbox"/> To improve reliability () <input type="checkbox"/> Part standardization <input type="checkbox"/> Other ()			
Model Name:			
SAPPHIRE:	Ricoh JP8000, Gestetner 5490, RexRotary 1395, nashuatec CP490, Savin 3450DNP, Standard SD630		
GARNET:	Ricoh JP5500, Gestetner 5450+/5455, RexRotary1560+, nashuatec CP450+, Savin 3360DNP, Standard SD450, Lanier LDD150		
SA2:	Ricoh JP8500, Gestetner 5490+/5499, RexRotary1395+, nashuatec CP490+, Savin 3460DNP, Standard SD650, Lanier LDD180		
SA2P (China only):	Ricoh JP8510P, Gestetner 5500P		

Change: Shapes of the clamper exit pawl [A] and clamper base [B] were changed.

Reason: To further improve the open angle of the clamper exit pawl [C].

This will:

- 1) Ensure the paper [D] is fed more smoothly and,
- 2) Ensure B-jams do not occur between the paper clamper [E] and pick-off plate [F] in the paper delivery unit [G].

Sapphire parts catalog

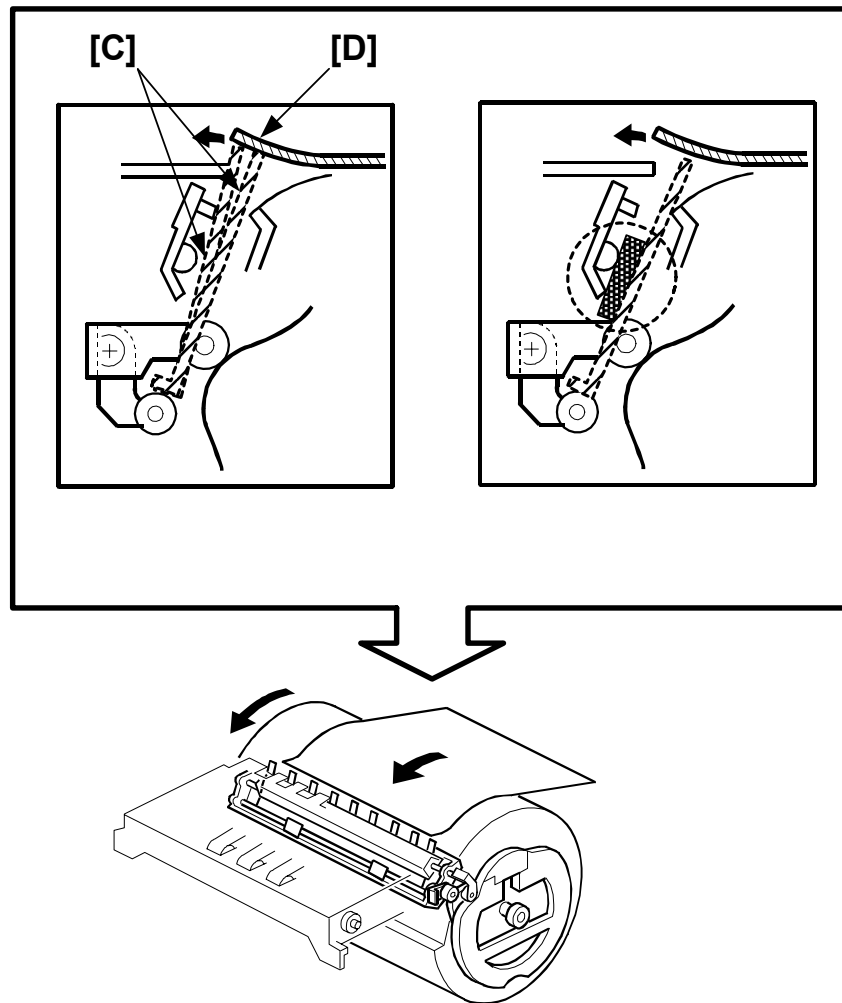
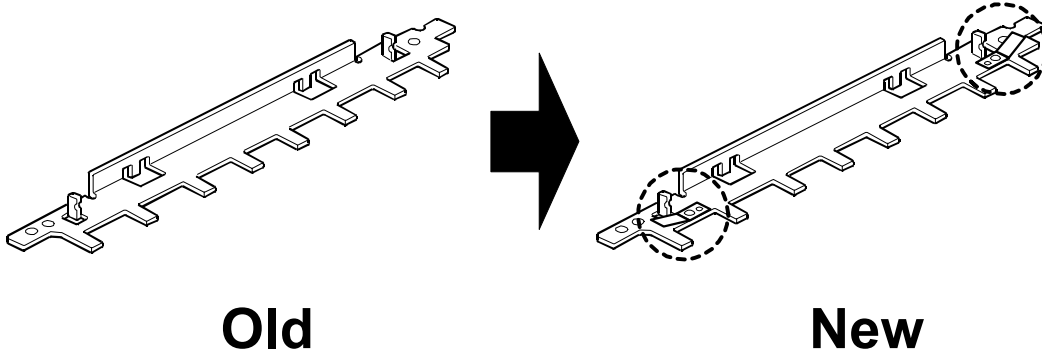
Modification 1: Clamper Exit Pawl						
Old #	New #	Description	Qty	Int	Page	Index
C2363247	C2443310	Clamper Exit Pawl	1	X/O	39	13

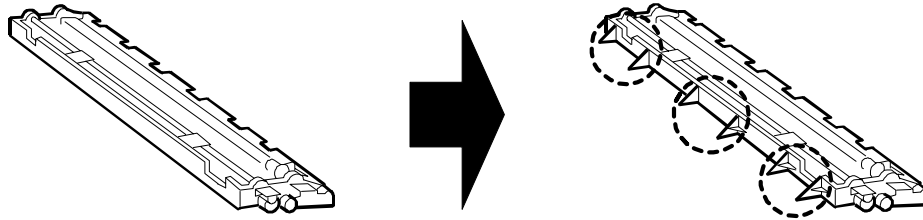
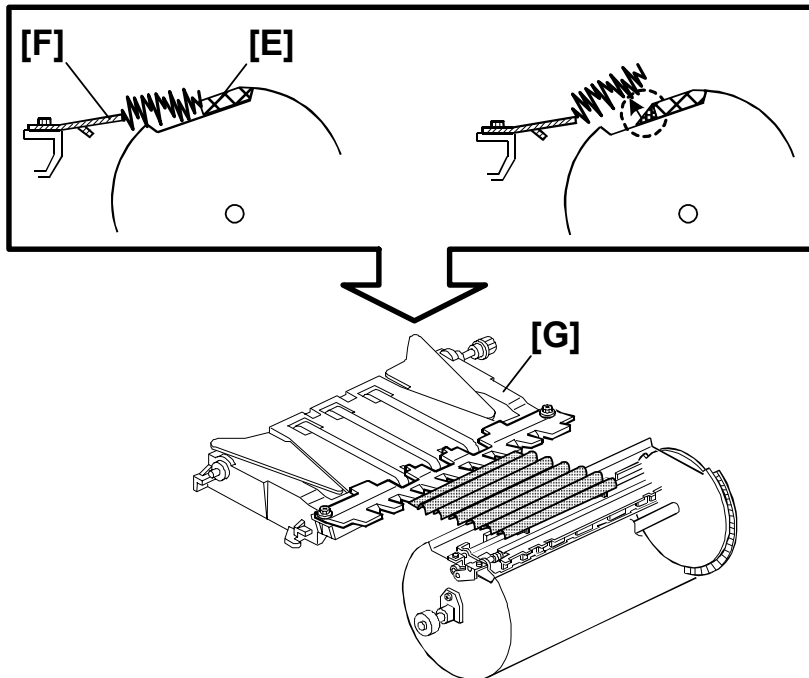
Modification 2: Clamper Base						
Old #	New #	Description	Qty	Int	Page	Index
C2443264	C2443265	Clamper Base	1	X/O	39	18
C2443005	C2443015	Drum Clamp Assembly	1	X/O	39	19

Garnet/SA2/SA2P parts catalog

Modification 1: Clamper Exit Pawl						
Old #	New #	Description	Qty	Int	Page	Index
C2363247	C2443310	Clamper Exit Pawl	1	X/O	29	13

Modification 2: Clamper Base						
Old #	New #	Description	Qty	Int	Page	Index
C2443264	C2443265	Clamper Base	1	X/O	29	21
C2443005	C2443015	Drum Clamp Assembly	1	X/O	29	22

Modification 1 - Clamper Exit Pawl [A]:

Modification 2 - Clamper Base [B]:**Old****New**

Model: PRIPORT SAPPHIRE/GARNET/SA2/SA2P

Date: 20-Jan-05

No: M-C235-021

CUT IN SERIAL NUMBERS

Modification 1:

Model Name	V/Hz	Destination	Code	Serial Number
Standard SD630	120/60	USA, Canada	C235-11	F0140700001
Ricoh JP8000	120/60	USA, Canada	C235-17	
Ges 5490, Rex 1395, Nsa CP490	230/50	Europe, etc.	C235-22	
Ricoh JP8000	230/50	Europe, etc.	C235-27	
Ges 5490, Savin 3450DNP	120/60	USA, Canada	C235-51	
Standard SD450	120/60	USA, Canada	C239-11	F2340700001
Ges 5450+, Rex 1560+, Nsa CP450+	230/50	Europe, etc.	C239-22	
Ricoh JP5500	230/50	Europe, etc.	C239-27	
Ricoh JP5500, Ges 5455, Savin 3360DNP, Lanier LDD150	120/60	USA, Canada	C239-52	
Standard SD650	120/60	USA, Canada	C244-11	F1840900001
Ges 5490+, Rex 1395+, Nsa CP490+	230/50	Europe, etc.	C244-22	F1840700001
Ricoh JP8500	230/50	Europe, etc.	C244-27	
Ricoh JP8500, Ges 5499, Savin 3460DNP, Lanier LDD180	120/60	USA, Canada	C244-52	
Ricoh JP8510P, Ges 5500P	230/50	China	C255-33	F4341100001

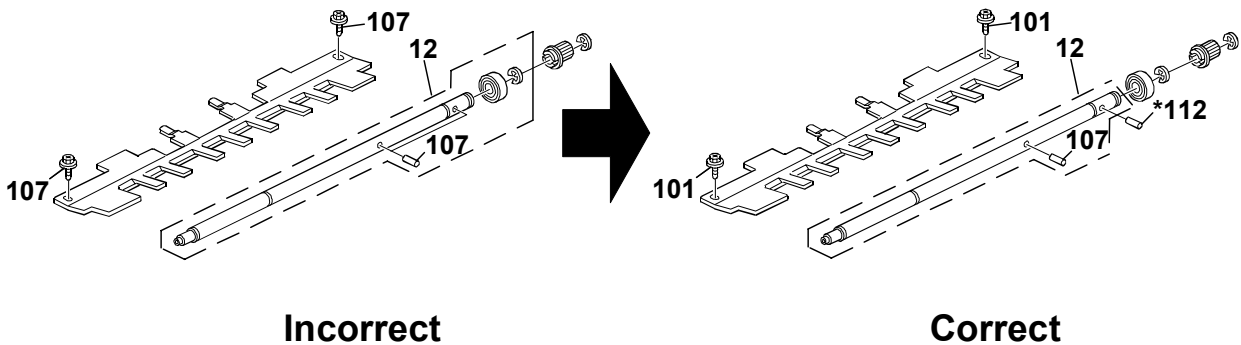
Modification 2:

Model Name	V/Hz	Destination	Code	Serial Number
Standard SD630	120/60	USA, Canada	C235-11	F0141100001
Ricoh JP8000	120/60	USA, Canada	C235-17	
Ges 5490, Rex 1395, Nsa CP490	230/50	Europe, etc.	C235-22	
Ricoh JP8000	230/50	Europe, etc.	C235-27	
Ges 5490, Savin 3450DNP	120/60	USA, Canada	C235-51	
Standard SD450	120/60	USA, Canada	C239-11	F2341100001
Ges 5450+, Rex 1560+, Nsa CP450+	230/50	Europe, etc.	C239-22	
Ricoh JP5500	230/50	Europe, etc.	C239-27	
Ricoh JP5500, Ges 5455, Savin 3360DNP, Lanier LDD150	120/60	USA, Canada	C239-52	
Standard SD650	120/60	USA, Canada	C244-11	F1841200001
Ges 5490+, Rex 1395+, Nsa CP490+	230/50	Europe, etc.	C244-22	F1841100001
Ricoh JP8500	230/50	Europe, etc.	C244-27	F1841200032
Ricoh JP8500, Ges 5499, Savin 3460DNP, Lanier LDD180	120/60	USA, Canada	C244-52	
Ricoh JP8510P, Ges 5500P	230/50	China	C255-33	F4341100001

Model: PRIPORT SAPPHIRE/GARNET/SA2/SA2P		Date: 20-Jan-05	No: M-C235-022
Modified Article: Parts catalog correction		Prepared by:	
From: Priport Service Planning Section		A. Yoshida	
Classification:	<input checked="" type="checkbox"/> Parts catalog correction	<input type="checkbox"/> Vendor change	<input type="checkbox"/> To meet standards
	<input type="checkbox"/> To facilitate assembly	<input type="checkbox"/> To improve reliability	()
	<input type="checkbox"/> Part standardization	<input type="checkbox"/> Other ()	
Model Name:			
SAPPHIRE:	Ricoh JP8000, Gestetner 5490, RexRotary 1395, nashuatec CP490, Savin 3450DNP, Standard SD630		
GARNET:	Ricoh JP5500, Gestetner 5450+/5455, RexRotary1560+, nashuatec CP450+, Savin 3360DNP, Standard SD450, Lanier LDD150		
SA2:	Ricoh JP8500, Gestetner 5490+/5499, RexRotary1395+, nashuatec CP490+, Savin 3460DNP, Standard SD650, Lanier LDD180		
SA2P (China only):	Ricoh JP8510P, Gestetner 5500P		

Please apply the following corrections to your Parts Catalogs:

● **Index Number Correction/Addition - Paper Exit Section 2:**



Sapphire parts catalog

Parts No.	Description	Page	Index
C2293875	Transport Belt Drive Shaft	47	12
04504008B	Tapping Screw - 4x8	47	101
06230120E	Spring Pin - M3x12	47	107
06230140E	Spring Pin - 3x14mm	47	*112

*: New Index

Garnet/SA2/SA2P parts catalog

Parts No.	Description	Page	Index
C2293875	Transport Belt Drive Shaft	37	12
04504008B	Tapping Screw - 4x8	37	101
06230120E	Spring Pin - M3x12	37	107
06230140E	Spring Pin - 3x14mm	37	*112

*: New Index

Model: PRIPORT SAPPHIRE/GARNET/SA2/SA2P		Date: 24-Jan-05	No: M-C235-023
Modified Article: Modified to environmentally-friendly material		Prepared by:	
From: Priport Service Planning Section		K. Yamamoto	
Classification: <input type="checkbox"/> Parts catalog correction <input type="checkbox"/> Vendor change <input type="checkbox"/> To meet standards <input type="checkbox"/> To facilitate assembly <input type="checkbox"/> To improve reliability () <input type="checkbox"/> Part standardization <input checked="" type="checkbox"/> Other ()			
Model Name:			
SAPPHIRE:	Ricoh JP8000, Gestetner 5490, RexRotary 1395, nashuatec CP490, Savin 3450DNP, Standard SD630		
GARNET:	Ricoh JP5500, Gestetner 5450+/5455, RexRotary1560+, nashuatec CP450+, Savin 3360DNP, Standard SD450, Lanier LDD150		
SA2:	Ricoh JP8500, Gestetner 5490+/5499, RexRotary1395+, nashuatec CP490+, Savin 3460DNP, Standard SD650, Lanier LDD180		
SA2P (China only):	Ricoh JP8510P, Gestetner 5500P		

Change: Materials were changed to more environmentally-friendly types.

Reason: This is part of Ricoh's ongoing application of in-house environmental management standards.

Sapphire

Old Part Number	New Part Number	Description	Q'ty	Int	Page	Index
C2292850	C2442850	Paper Feed Stay	1	O/O	33	22
C2365733	C2445733	Harness Cover	1	O/O	33	2
C2295732	C2445734	Feed Pressure Motor Bracket	1	O/O	33	14
C2292893	C2442893	Right Pressure Arm	1	O/O	37	12
C2292894	C2442894	Left Pressure Arm	1	O/O	37	10
C2292898	C2442898	Pressure Release Lock Arm - Right	1	O/O	37	13
C2292899	C2442899	Pressure Release Lock Arm - Left	1	O/O	37	9
C2292900	C2442900	Pressure Release Shaft	1	O/O	37	11
C2295730	C2445730	Paper Table Motor Bracket	1	O/O	31	30
C2292751	C2442751	Right Side Plate	1	O/O	31	10
C2292755	C2442755	Lift Up Rack - Paper Table	1	O/O	31	1
C2292754	C2442754	Left Side Plate	1	O/O	31	6
56073927	C2442799	Stepped Screw - M3x8	2	O/O	31	17
C2292955	C2442955	Ground Plate	1	O/O	29	24
C2322775	C2362775	Paper Tray - Sub	1	O/O	29	35
C2352773	C2352783	Paper Tray	1	O/O	29	22
C2352774	C2352784	Paper Feed Cover	1	O/O	29	36
C2352804	C2442804	Side Fence Grip	1	O/O	29	5
C2352779	C2442778	Harness Holder	1	O/O	29	29
C2362905	C2442905	Feed Roller - Upper	1	O/O	37	8
C5934102	C2444101	Transport Belt Case	1	O/O	47	2
C2352767	C2352766	PAPER TABLE ASS'Y	1	O/O	29	40

Model: PRIPORT SAPPHIRE/GARNET/SA2/SA2P	Date: 24-Jan-05	No: M-C235-023
--	------------------------	-----------------------

Garnet

Old part number	New part Number	Description	Q'ty	Int	Page	Index
C2292850	C2442850	Paper Feed Stay	1	O/O	23	22
C2365733	C2445733	Harness Cover	1	O/O	23	2
C2295732	C2445734	Feed Pressure Motor Bracket	1	O/O	23	14
C2292893	C2442893	Right Pressure Arm	1	O/O	27	12
C2292894	C2442894	Left Pressure Arm	1	O/O	27	10
C2292898	C2442898	Pressure Release Lock Arm - Right	1	O/O	27	13
C2292899	C2442899	Pressure Release Lock Arm - Left	1	O/O	27	9
C2292900	C2442900	Pressure Release Shaft	1	O/O	27	11
C2295730	C2445730	Paper Table Motor Bracket	1	O/O	21	30
C2292751	C2442751	Right Side Plate	1	O/O	21	10
C2292755	C2442755	Lift Up Rack - Paper Table	1	O/O	21	1
C2292754	C2442754	Left Side Plate	1	O/O	21	6
56073927	C2442799	Stepped Screw - M3x8	2	O/O	21	17
C2292955	C2442955	Ground Plate	1	O/O	19	27
C2362905	C2442905	Feed Roller - Upper	1	O/O	27	8
C5934102	C2444101	Transport Belt Case	1	O/O	37	2

Model: PRIPORT SAPPHIRE/GARNET/SA2/SA2P	Date: 24-Jan-05	No: M-C235-023
--	------------------------	-----------------------

Note: The parts in the table below are common to both the SA2 and SA2P. These parts are listed in the SA2 Parts Catalog. For parts that are unique to the SA2P, see MB #MC235-011.

SA2/SA2P

Old part number	New part Number	Description	Q'ty	Int	Page	Index
C2292850	C2442850	Paper Feed Stay	1	O/O	23	22
C2365733	C2445733	Harness Cover	1	O/O	23	2
C2295732	C2445734	Feed Pressure Motor Bracket	1	O/O	23	14
C2292893	C2442893	Right Pressure Arm	1	O/O	27	12
C2292894	C2442894	Left Pressure Arm	1	O/O	27	10
C2292898	C2442898	Pressure Release Lock Arm - Right	1	O/O	27	13
C2292899	C2442899	Pressure Release Lock Arm - Left	1	O/O	27	9
C2292900	C2442900	Pressure Release Shaft	1	O/O	27	11
C2295730	C2445730	Paper Table Motor Bracket	1	O/O	21	30
C2292751	C2442751	Right Side Plate	1	O/O	21	10
C2292755	C2442755	Lift Up Rack - Paper Table	1	O/O	21	1
C2292754	C2442754	Left Side Plate	1	O/O	21	6
56073927	C2442799	Stepped Screw - M3x8	2	O/O	21	17
C2292955	C2442955	Ground Plate	1	O/O	19	24
C2352804	C2442804	Side Fence Grip	1	O/O	19	5
C2362905	C2442905	Feed Roller-upper	1	O/O	27	8
C5934102	C2444101	Transport Belt Case	1	O/O	37	2
C2402775	C2452775	Paper Tray - Sub	1	O/O	19	35
C2442773	C2442775	Paper Tray	1	O/O	19	22
C2442779	C2442778	Harness Holder	1	O/O	19	29
C2442774	C2442784	Paper Feed Cover	1	O/O	19	36